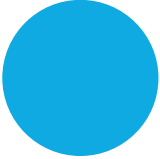




trident

 RiX-70 DC, the most advanced high frequency dental X-Ray unit for perfect images.

**DC technology for less radiation dosage.  
DC generator with 0,4 mm focal spot.  
Ideal for all image receptors.**

  
  
**RiX-70 DC**

Intraoral X-Ray Unit

## What DC means?

DC means amazing results with all the advantages of the more advanced electronic technology: **rather than using alternating current, RiX- 70 DC applies a nearly constant potential to the tube.** This constant potential supplies the tube with DC current, resulting in a constant stream of consistent radiation that maintains the preset kV values even with mains fluctuations.

## Reduction of radiation dose

The high frequency generator allows radiation stability eliminating the soft radiation that does not produce images but can be harmful for the patient.

## Superior image quality

RiX-70 DC with focal spot 0,4 mm gives you incredibly clear images with a high contrast range.

## Voltage selector

RiX-70 DC can operate either 60, 70 or 75 kV allowing to reach excellent results according to your needs.

**Two versions**, wall-mounted and mobile, allows the operation in multiple spaces.

**Two different extension arm** gives you the possibility of multiple applications. Choose between 60 and 80 cm arm's length.

**Automatic setting of exposure time** from 0.01 to 2.0 seconds, depending on the patient and tooth characteristics.

Easy-to-read main control panel, with quickly identifiable icons for a faster and easier operation.

# RiX-70 DC



## Modern and clean design

More compact and lightweight tube head.

Steady and strong support arm.

Handswitch provided with 2 meter coiled cord.

Clear and intuitive remote control.

Additional button pad for a fast selection of exposure values.

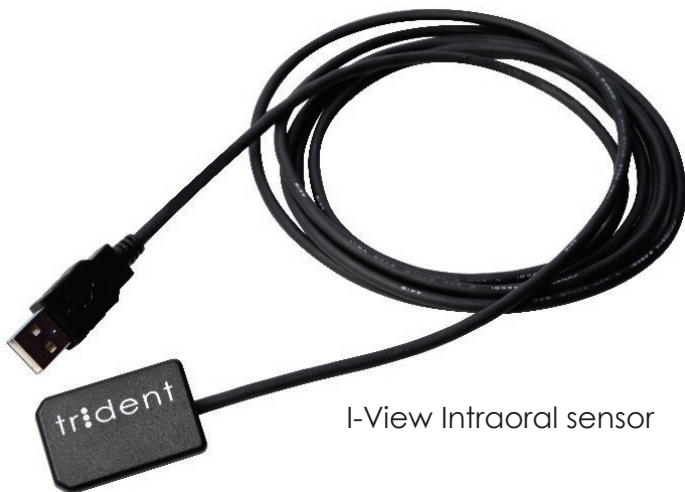
Optional 35 x 43 mm rectangular collimator

# RiX-70 DC

Easier for you.  
Safer for your patients.

## Compatibility with any image receptor

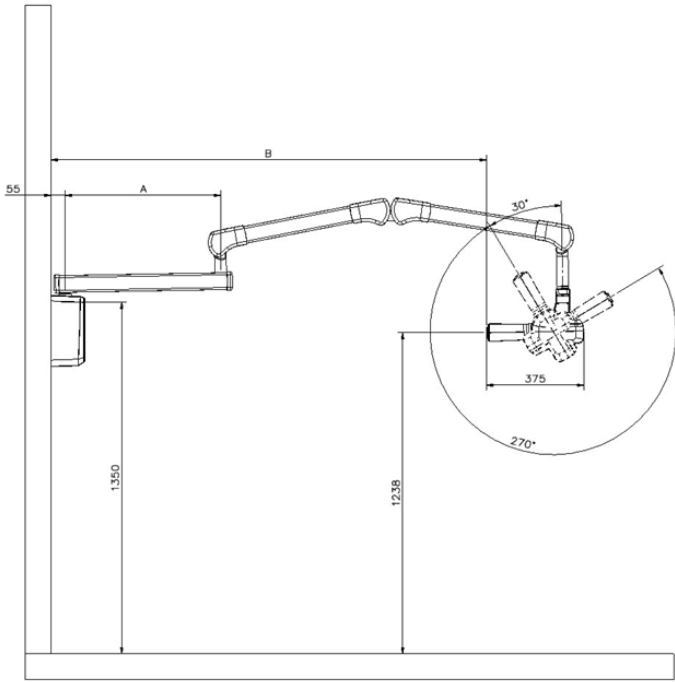
You can select from the control panel the image receptor to use. RiX-70 DC perfectly matches with the modern Trident digital images receptors: I-View, Intraoral Sensor and Reader, phosphor plate scanner.



I-View Intraoral sensor

Reader PSP scanner

# Space Requirements for Installation



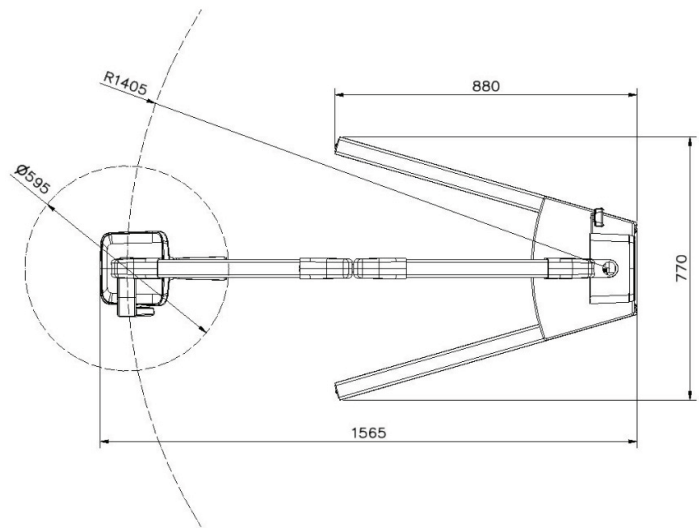
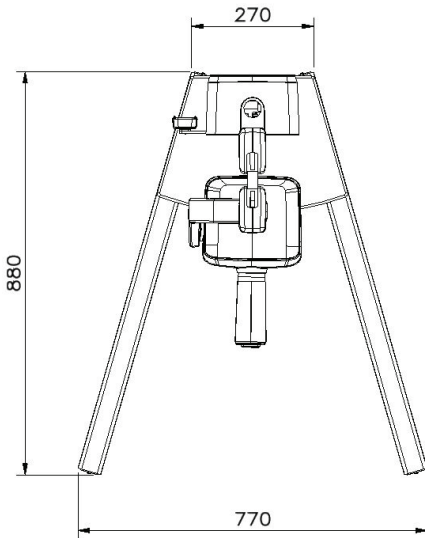
## Wall Mounted version

**Distance A:** Is equal to the length of the arm 600/800 mm

**Distance B:** 1678mm for a 600 mm arm length 1878mm for an 800 mm arm length

# RiX-70 DC

## Mobile Version



## Technical Characteristics

<b>Voltage</b>	AC100-240 V ±10%
<b>Frequency</b>	50/60 Hz
<b>Tube Voltage</b>	60-65-70 kV±8%
<b>Anodic electric current</b>	7mA±10%
<b>Focal spot</b>	0.4 mm (IEC336)
<b>Focus skin distance</b>	20cm (8 5/8 inch)
<b>Output radiation field</b>	Φ60mm (2 3/8 inch)
<b>Leakage radiation</b>	< 0.15 mGy/h at 1 m
<b>Total filtration</b>	> 1.5 mm Al eq.
<b>Connection</b>	7 wires cable with double insulation
<b>Duty Cycle</b>	1/30 6 seconds minimum
<b>Inherent filtration RX tube</b>	0.5 mmAl min.
<b>Rectangular collimator</b>	
<b>(Optional)</b>	35x43 mm (square)
<b>Weight</b>	32 Kg wall mounted 52 Kg mobile



**trident srl**

Via Artigiani No. 4  
25014 Castenedolo, BS, Italy  
Tel: +39 0302732485  
Fax: +39 0302731647  
www.trident-dental.com  
info@trident-dental.com

Document: BRiX DC  
Version: 01-April 2016

