



 **MECTRON**
ULTRASONIC INSERTS



→ ULTRASONIC INSERTS

→ MULTIPIEZO

→ A LARGE VARIETY OF APPLICATIONS

Scaling, perio, endo – mectron offers a wide range of applications. mectron's high-quality technique guarantees maximum treatment power and utmost security in each single unit.

This remarkable quality is the result of the successful combination of fine electronic concept and a special tips design.



→ PIEZO SMART



→ COMBI touch



→ MICROPIEZO S



→ MULTIPIEZO PRO



→ COMPACT PIEZO LED



→ COMPACT PIEZO P2K



→ THE INSERTS

A range of 50 inserts is available for different uses.
The surface has been enhanced with titanium nitride
to make it tougher than traditional ultrasound inserts.

mectron inserts are supplied in kits that allow both a
proper storage and an effective sterilisation.





→ INSERT KIT

These small and handy kits are made of stainless steel (no aluminium).

The blue silicon rings perfectly hold the inserts.



CONTENTS

→ 8-16 INSERT KITS

8/9 kit scaling/kit scaling high efficiency

10/11 kit perio universal/kit perio anatomic

12/13 kit endo/kit endo revision

14/15 kit endo retro/kit cavity prep

16/17 kit cavity margin/kit restorative

→ 18-22 SCALING INSERTS

18/19 insert S1/insert S2

20/21 insert S3/insert S4

22 insert S5

→ 22-25 SCALING HIGH EFFICIENCY INSERTS

23 insert S6

24/25 insert S7/insert S8

→ 26-29 PERIO UNIVERSAL INSERTS

26/27 insert P1/insert P2

28/29 insert P3/insert P4

→ 30-35 PERIO ANATOMIC INSERTS

31 insert P10

32/33 insert P11/insert P12

34/35 insert P13/insert P14

→ 36-37 IMPLANT CLEANING INSERTS

→ 38-41 ENDO INSERTS

38/39 insert E1/insert E1

40/41 endo files

→ 42-47 ENDO REVISION INSERTS

42 insert ER1

44/45 insert ER2/insert ER3

46/47 insert ER4/insert ER5

→ 48-56 ENDO RETRO INSERTS

48 insert R1

50/51 insert R2/insert R3

52/53 insert R4/insert R5

52/53 insert RD3/insert RD4

56 insert RD5

→ 58-61 EXTRACTION INSERTS

59 insert ME1

60/61 insert ME2/insert ME3

→ 62-63 CROWN PREP TIPS

→ 64-71 CAVITY PREP INSERTS

66/67 insert CP1/insert CP2

68/69 insert CP3/insert CP4

70/71 insert CP5/insert CP6

→ 72-75 CAVITY MARGIN INSERTS

72/73 insert CM1/insert CM2

74/75 insert CM3/insert CM4

→ 76-79 RESTORATIVE INSERTS

76/77 insert D1/insert D2

78/79 insert D3/insert D4

→ 80-81 APPROPRIATE INSERT SETTINGS

→ 82-83 REFERENCE NUMBERS/TIP CARD

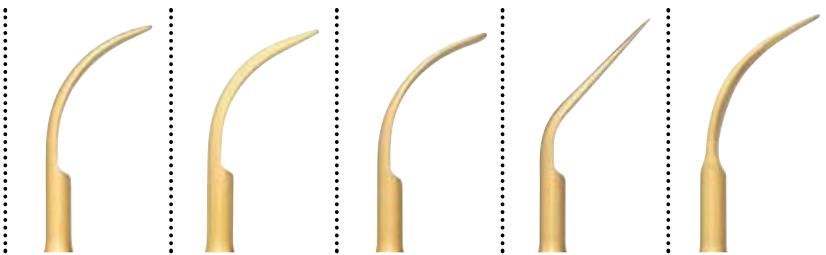
→ KIT SCALING

→ EQUIPPED WITH:

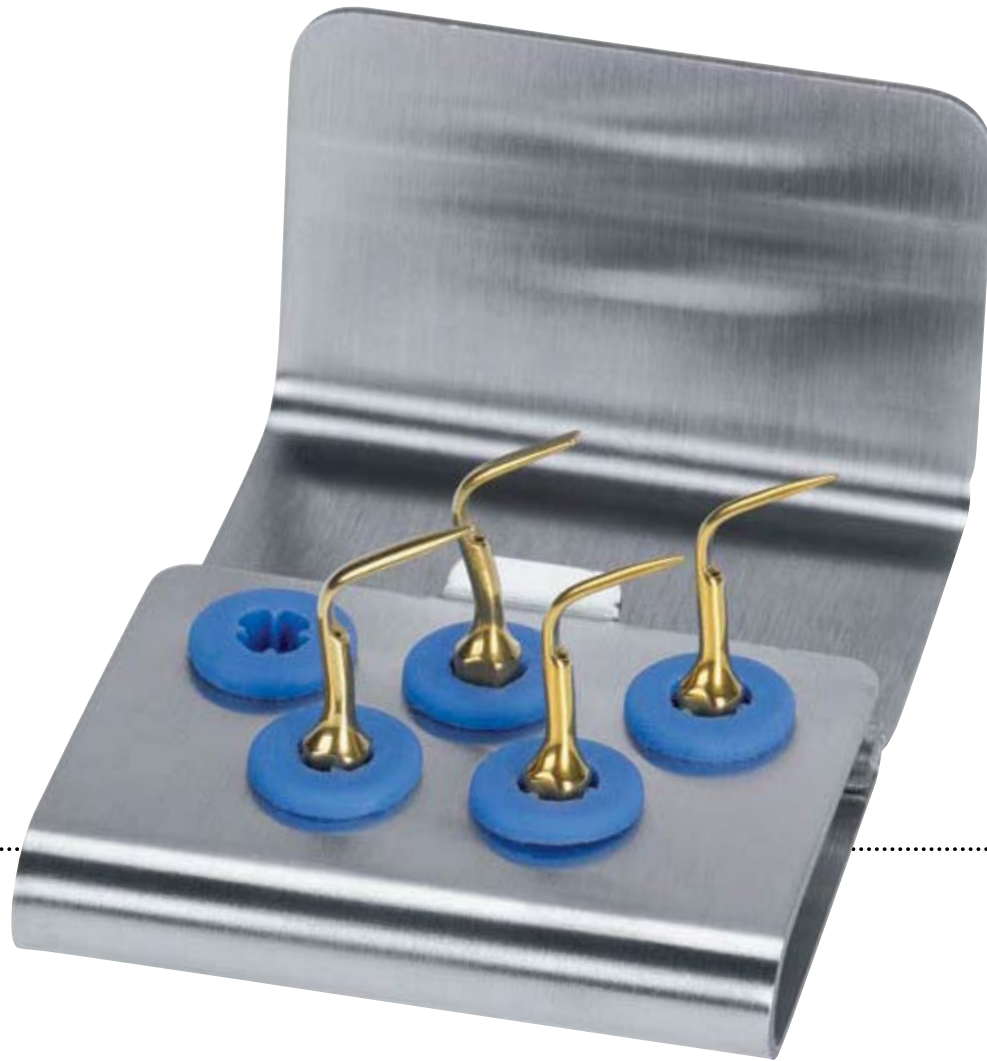
- 1 insert S1
- 1 insert S2
- 1 insert S3
- 1 insert S4
- 1 insert S5



→ S1 → S2 → S3 → S4 → S5



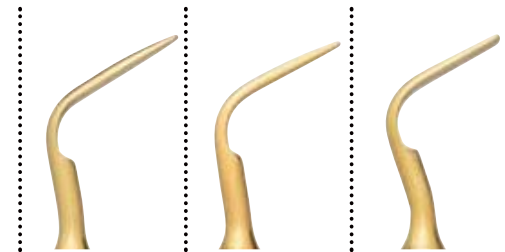
→ KIT SCALING HIGH EFFICIENCY



→ EQUIPPED WITH:

- 2 inserts S6
- 1 insert S7
- 1 insert S8

→ S6 → S7 → S8

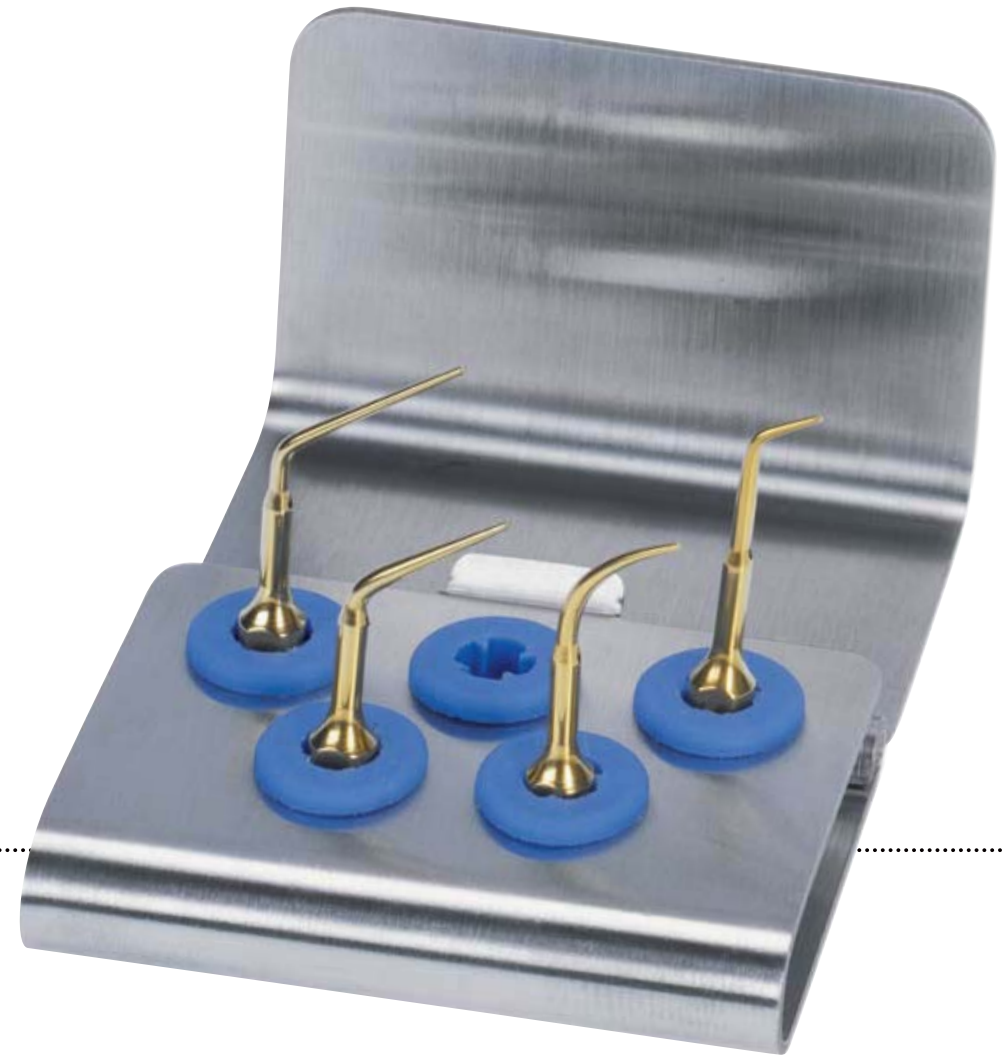


→ KIT PERIO UNIVERSAL

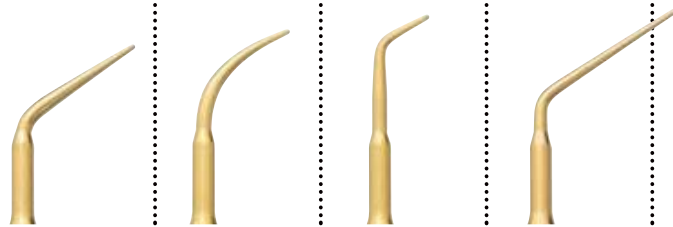
INSERT KITS

→ EQUIPPED WITH:

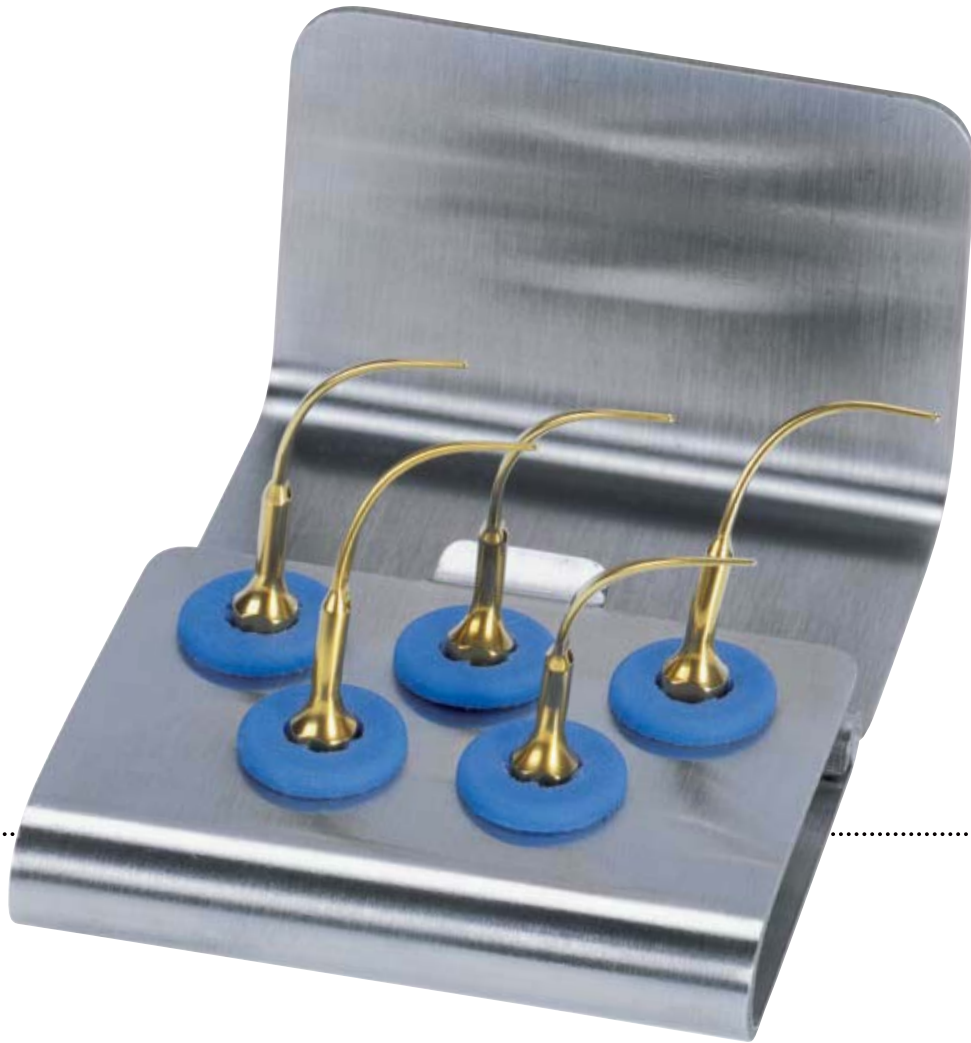
- 1 insert P1
- 1 insert P2
- 1 insert P3
- 1 insert P4



→ P1 → P2 → P3 → P4



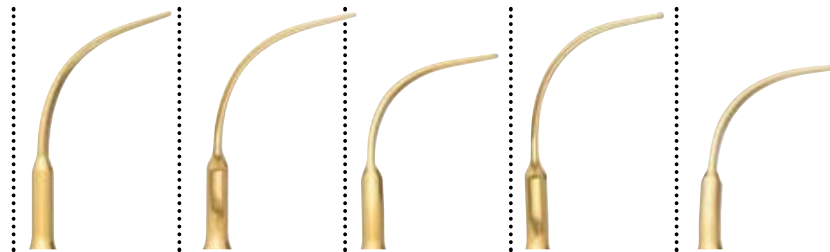
→ KIT PERIO ANATOMIC



→ EQUIPPED WITH:

- 1 insert P10
- 1 insert P11
- 1 insert P12
- 1 insert P13
- 1 insert P14

→ P10 → P11 → P12 → P13 → P14



→ KIT ENDO

→ EQUIPPED WITH:

- 1 file holder E1 120°
- 1 file holder E2 90°
- 6 NiTi-files ISO 15, 27 mm
- 6 NiTi-files ISO 20, 27 mm
- 6 NiTi-files ISO 25, 27 mm
- 6 NiTi-files ISO 15, 31 mm
- 6 NiTi-files ISO 20, 31 mm
- 6 NiTi-files ISO 25, 31 mm
- 1 wrench K1
- 1 wrench for endo files



→ E1

→ E2



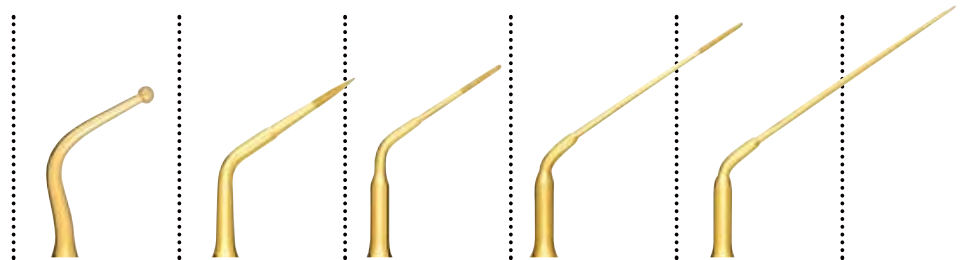
→ KIT ENDO REVISION



→ EQUIPPED WITH:

- 1 insert ER1
- 1 insert ER2
- 1 insert ER3
- 1 insert ER4
- 1 insert ER5

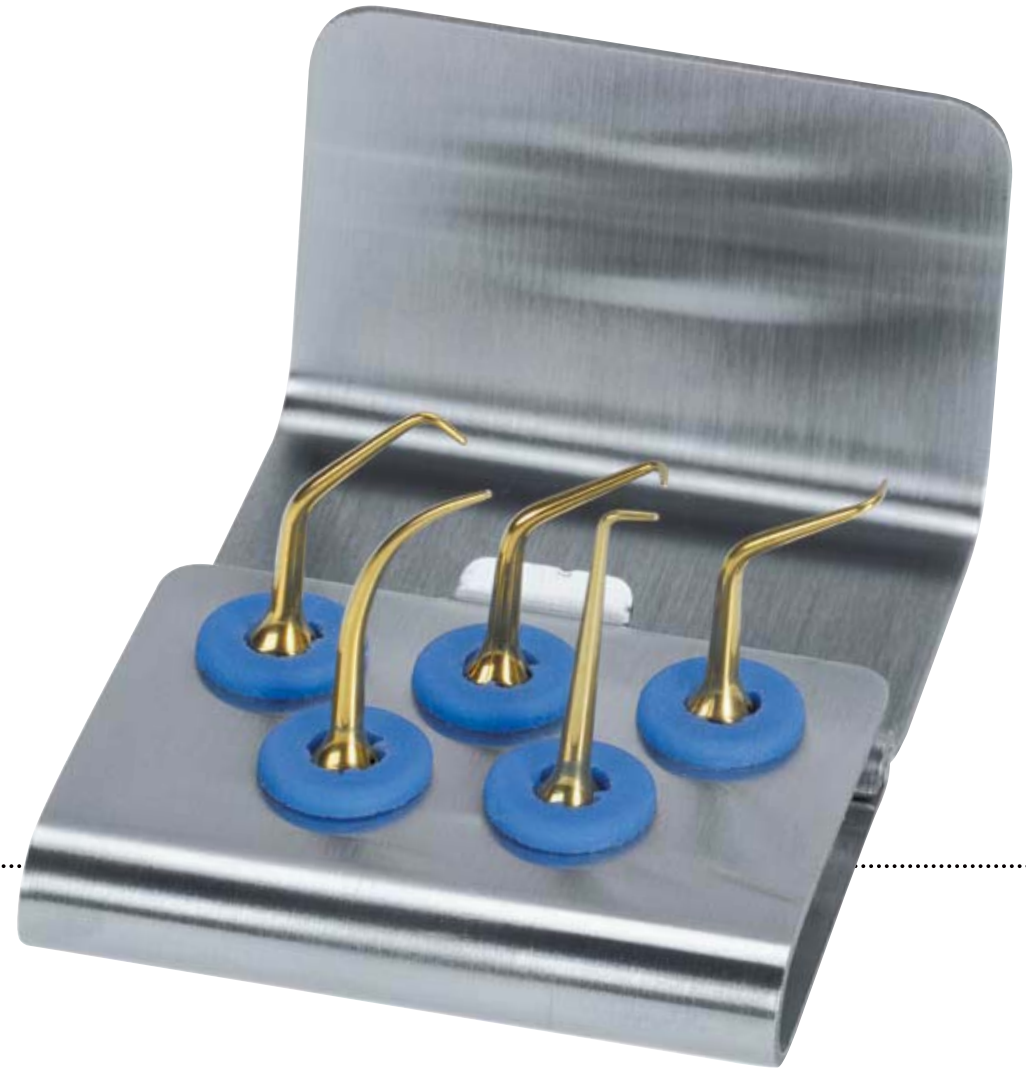
→ ER1 → ER2 → ER3 → ER4 → ER5



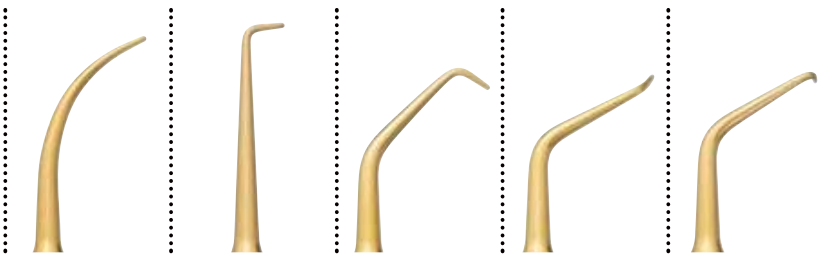
→ KIT ENDO RETRO

→ EQUIPPED WITH:

- 1 insert R1
- 1 insert R2
- 1 insert R3
- 1 insert R4
- 1 insert R5



→ R1 → R2 → R3 → R4 → R5



→ KIT CAVITY PREP*



→ EQUIPPED WITH:

- 1 insert CP1*
- 1 insert CP2*
- 1 insert CP3*
- 1 insert CP4*

→ CP1 → CP2 → CP3 → CP4



INSERT KITS

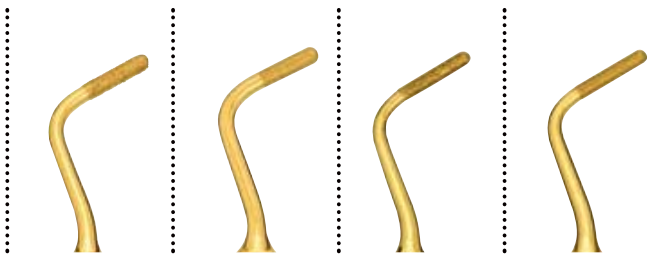
* available only in Europe

→ KIT CAVITY MARGIN

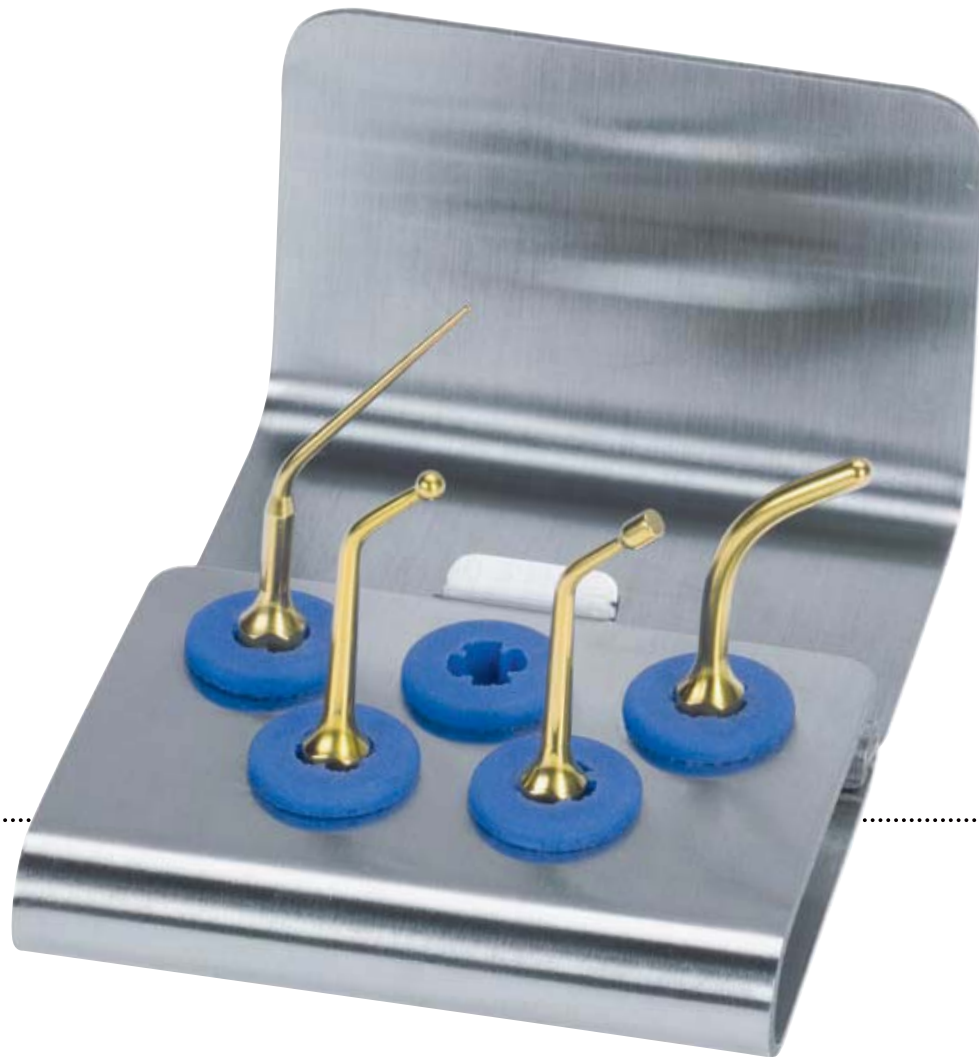
→ EQUIPPED WITH:

- 1 insert CM1
- 1 insert CM2
- 1 insert CM3
- 1 insert CM4

→ CM1 → CM2 → CM3 → CM4



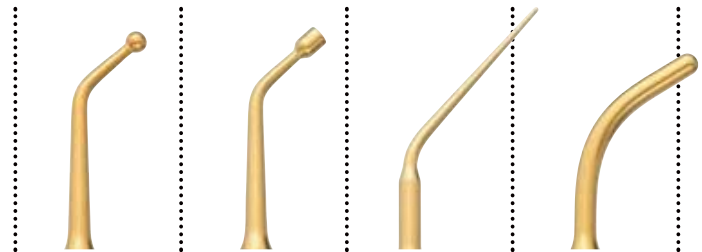
→ KIT RESTORATIVE

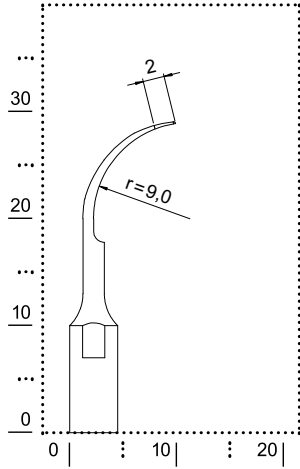


→ EQUIPPED WITH:

- 1 insert D1
- 1 insert D2
- 1 insert D3
- 1 insert D4

→ D1 → D2 → D3 → D4



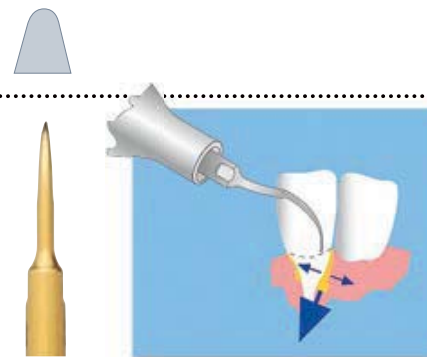
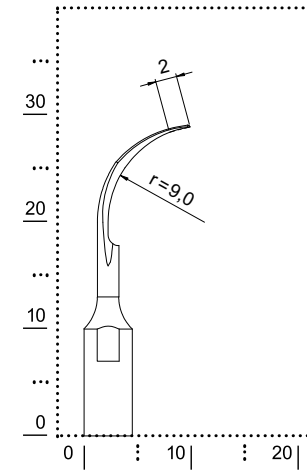


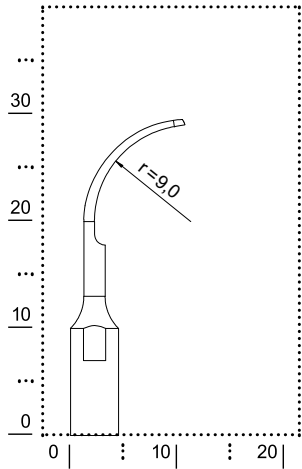
- IDENTIFICATION
scaling
- MORPHOLOGY
universal curette with semicircular diameter
- SURFACE
titanium nitride coat
- TREATMENT
for considerable tartar removal





- IDENTIFICATION
scaling
- MORPHOLOGY
universal curette with triangled, slightly curved surface
- SURFACE
titanium nitride coat
- TREATMENT
efficient in the interdental spaces and posterior surfaces



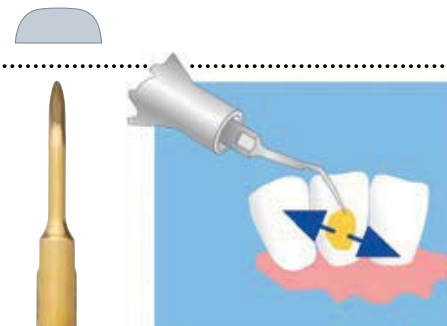
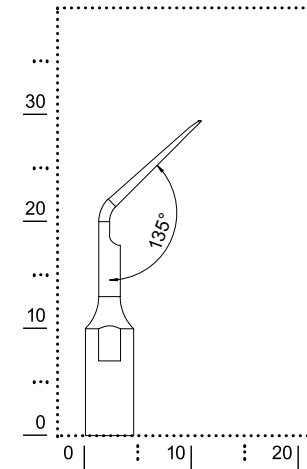


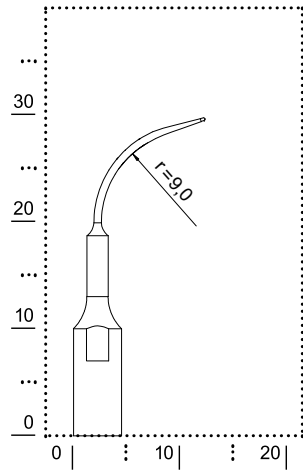
- IDENTIFICATION
scaling
- MORPHOLOGY
flat, with rounded edges
- SURFACE
titanium nitride coat
- TREATMENT
for considerable supragingival
tartar removal



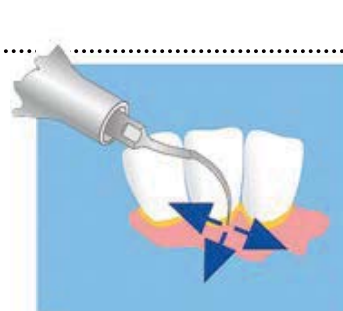


- **IDENTIFICATION**
scaling
- **MORPHOLOGY**
universal curette with 45° angled,
triangled and slightly curved surface
- **SURFACE**
titanium nitride coat
- **TREATMENT**
for tartar removal on mesial and distal
interdental surfaces in the posterior area



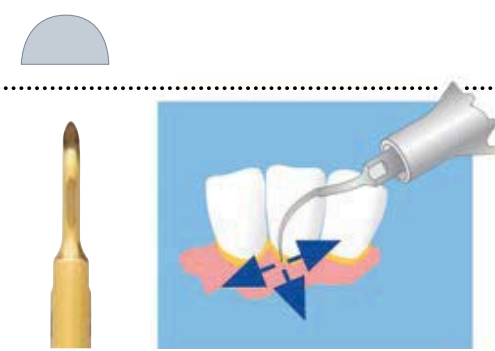
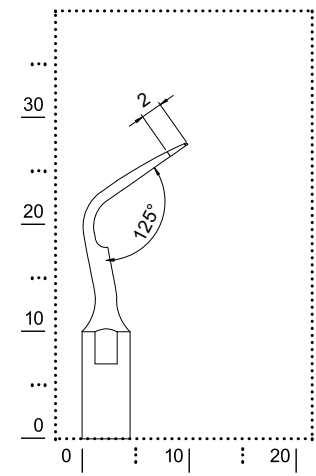


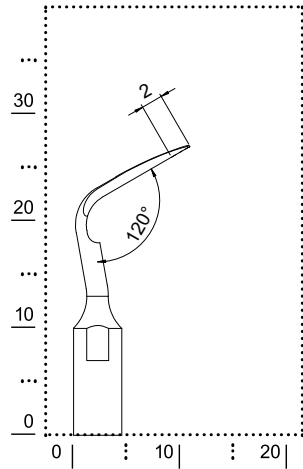
- IDENTIFICATION
scaling
- MORPHOLOGY
similar shape to S1 insert
but longer and thinner
- SURFACE
titanium nitride coat
- TREATMENT
for gentle supra- and subgingival
tartar removal and for gingivitis



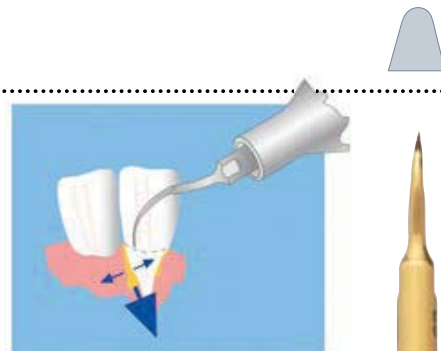


- **IDENTIFICATION**
scaling
- **MORPHOLOGY**
contra-angled universal curette with
semicircular diameter
- **SURFACE**
titanium nitride coat
- **TREATMENT**
powerful insert (twice the power of S1 insert)
for considerable tartar removal



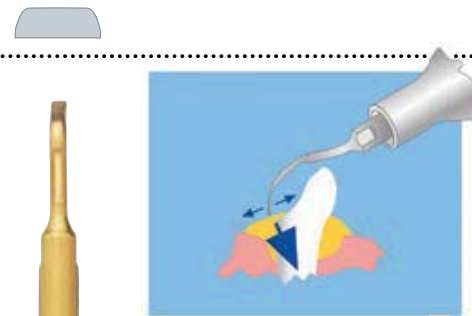
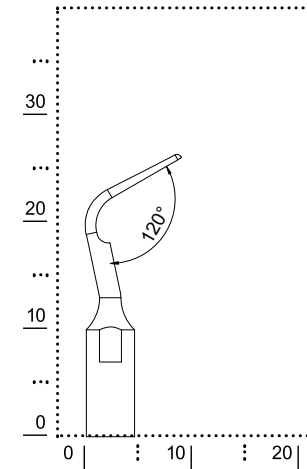


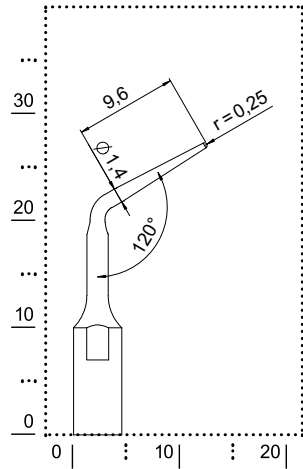
- IDENTIFICATION
scaling
- MORPHOLOGY
contra-angled universal curette with
triangled, slightly curved surface
- SURFACE
titanium nitride coat
- TREATMENT
powerful insert (twice the power of
S2 insert) efficient in the interdental
spaces and posterior surfaces





- **IDENTIFICATION**
scaling
- **MORPHOLOGY**
contra-angled, flat working surface
with round edges
- **SURFACE**
titanium nitride coat
- **TREATMENT**
powerful insert (twice the power of S3 insert)
for considerable supragingival tartar removal





→ IDENTIFICATION

perio

→ MORPHOLOGY

long, straight working tip with a circular surface

→ SURFACE

titanium nitride coat

→ TREATMENT

for concrements and biofilm
removal from root surfaces





→ IDENTIFICATION

perio

→ MORPHOLOGY

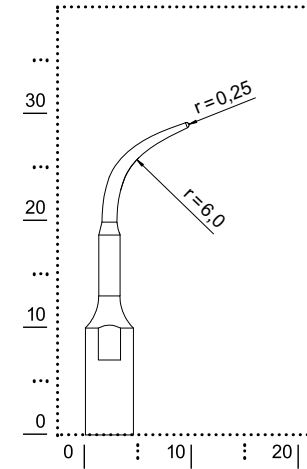
curved working tip with a circular surface

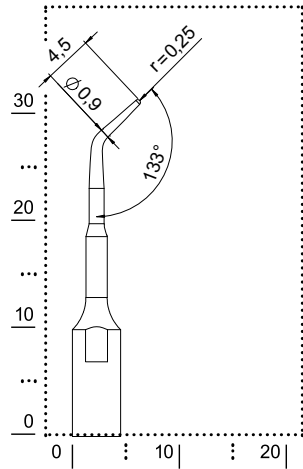
→ SURFACE

titanium nitride coat

→ TREATMENT

for concrements and biofilm
removal from root surfaces



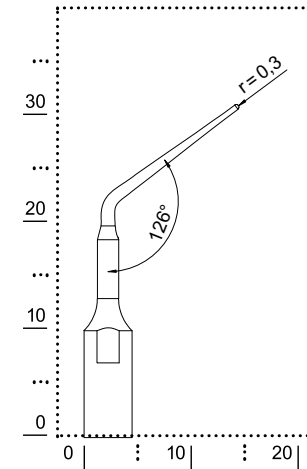


- IDENTIFICATION
perio
- MORPHOLOGY
straight long shaft, short working tip
with a circular surface
- SURFACE
titanium nitride coat
- TREATMENT
for concrements and biofilm removal
in furcations





- IDENTIFICATION
perio
- MORPHOLOGY
extra long, straight working tip
with a circular surface
- SURFACE
titanium nitride coat
- TREATMENT
for concrements and biofilm removal
from root surfaces

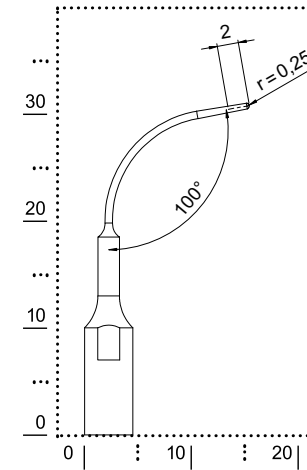


→ PERIO ANATOMIC INSERTS – OPTIMAL ACCESS TO ROOT SURFACES

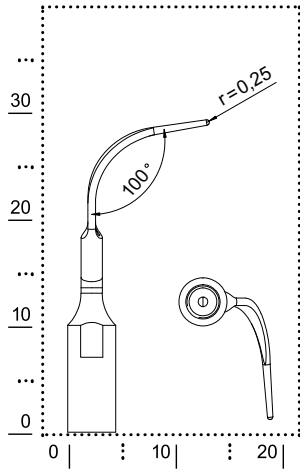
The anatomic shape of perio anatomic inserts allows a biofilm and concrements removal from deep periodontal pockets. Their filigree shape allows a gentle and nearly painless treatment.



- IDENTIFICATION
perio
- MORPHOLOGY
extra long, curved working tip
with a circular surface
- SURFACE
titanium nitride coat
- TREATMENT
for concrements and biofilm removal
from root surfaces



→ P11

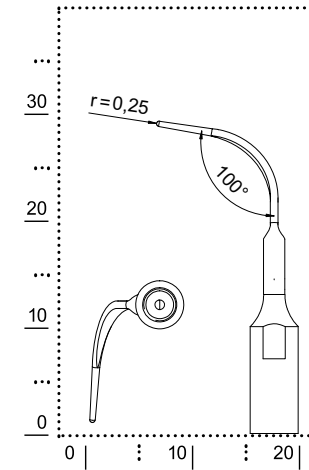


- IDENTIFICATION
perio
- MORPHOLOGY
right (inclination of 15°) curved insert
with round tip
- SURFACE
titanium nitride coat
- TREATMENT
for gentle subgingival concrements removal

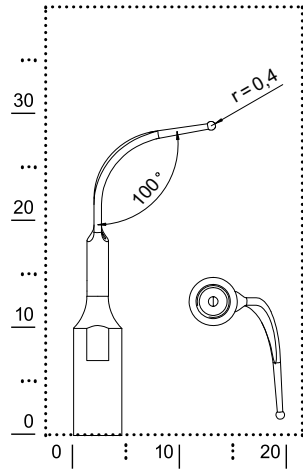




- IDENTIFICATION
perio
- MORPHOLOGY
left (inclination of 15°) curved insert
with round tip
- SURFACE
titanium nitride coat
- TREATMENT
for gentle subgingival concretions removal



→ P13



→ IDENTIFICATION

perio

→ MORPHOLOGY

right (inclination of 15°) curved insert with spherical ($\varnothing = 0.8$ mm) round tip

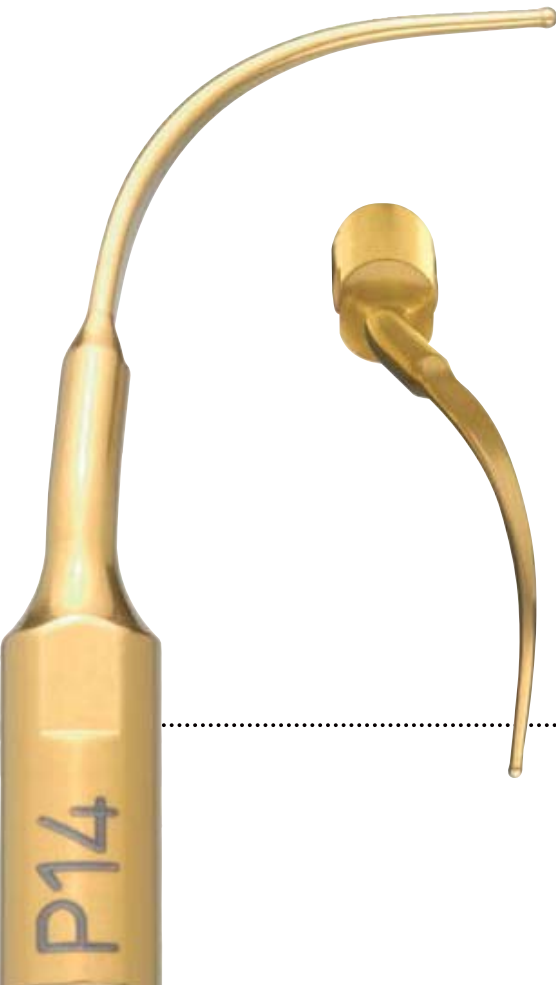
→ SURFACE

titanium nitride coat

→ TREATMENT

for concrements and biofilm removal in furcations and concavities





→ IDENTIFICATION

perio

→ MORPHOLOGY

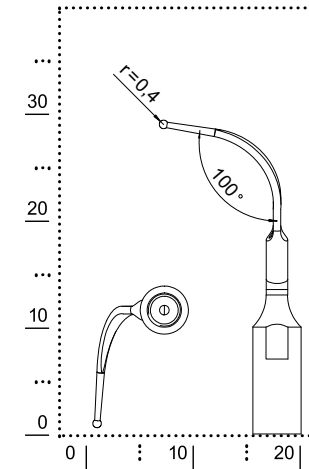
left (inclination of 15°) curved insert with spherical ($\varnothing = 0.8$ mm) round tip

→ SURFACE

titanium nitride coat

→ TREATMENT

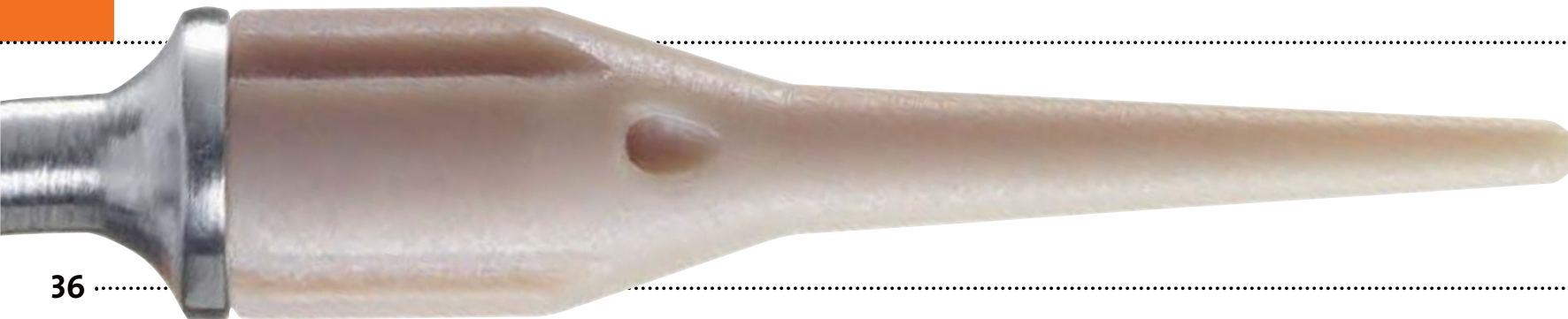
for concretions and biofilm removal in furcations and concavities



→ ICS + IC1

→ INSERT FOR IMPLANT CLEANING – MAXIMAL TREATMENT EFFICIENCY WITH THE HIGHEST PATIENT COMFORT

- tip IC1 – 100% PEEK (high tech plastics) – for maximum respect of the implant surface
- slim form of tipholder ICS allows optimal access and perfect view even in posterior regions
- tipholder ICS and tip IC1 are both sterilisable and reusable



→ IMPLANT
CLEANING SET S
The set consists
of a tipholder ICS
and 5 tips IC1



→ IDENTIFICATION

perio

→ MORPHOLOGY

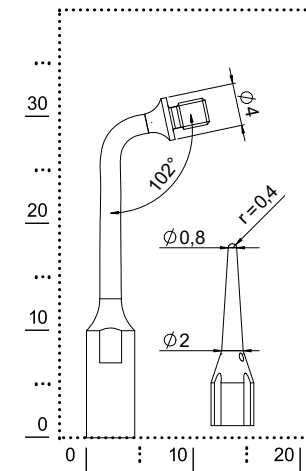
102° angled tipholder with conical PEEK tip
(working length 10 mm, \varnothing apical 0,8 mm,
 \varnothing coronal 2 mm)

→ SURFACE

medical grade stainless steel for tipholder ICS
and 100% PEEK for IC1

→ TREATMENT

efficient and soft cleaning of implants
and restorations

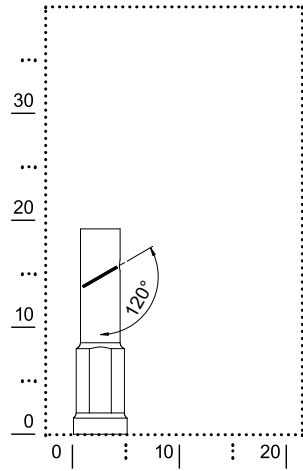


→ ICS

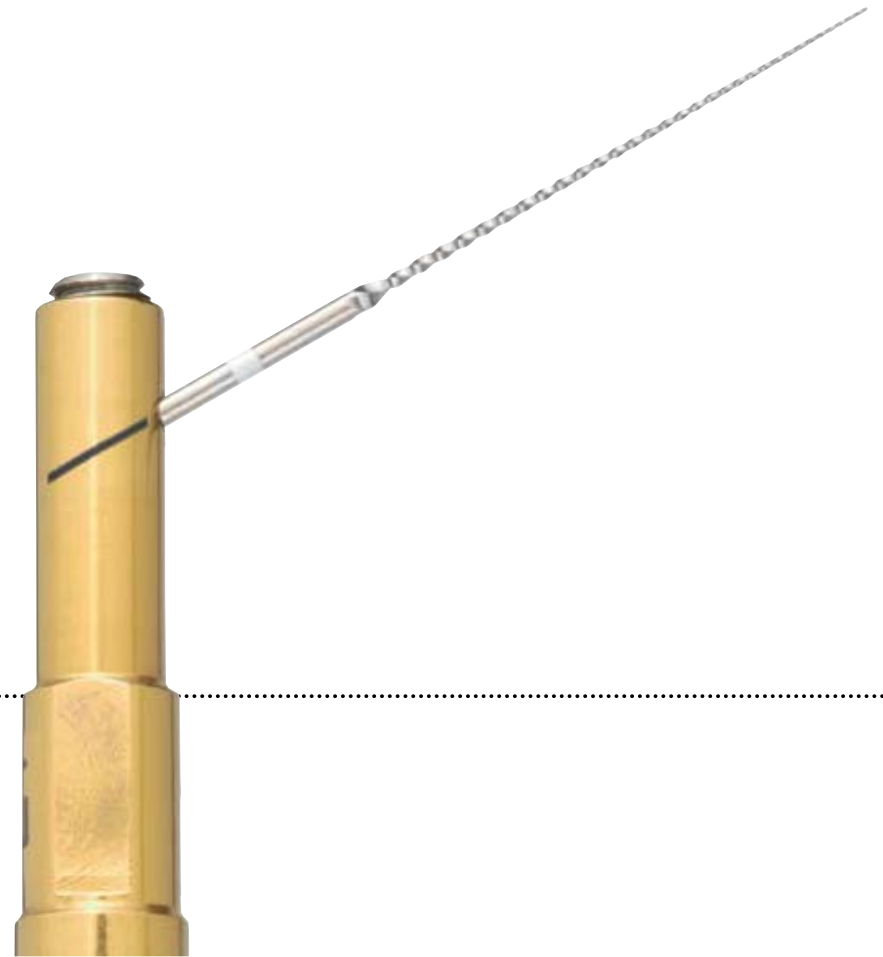
→ IC1



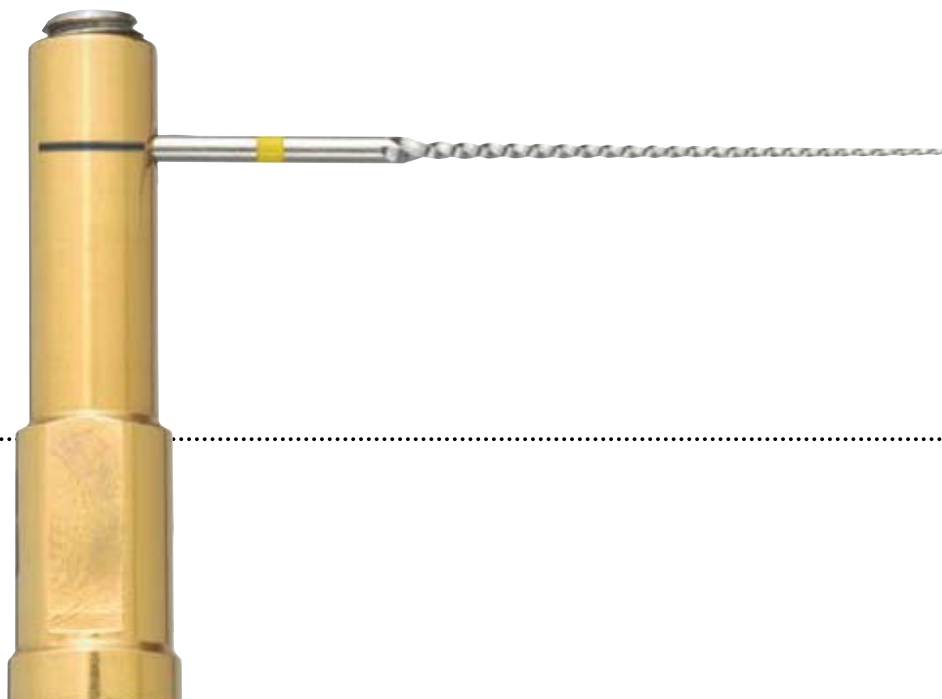
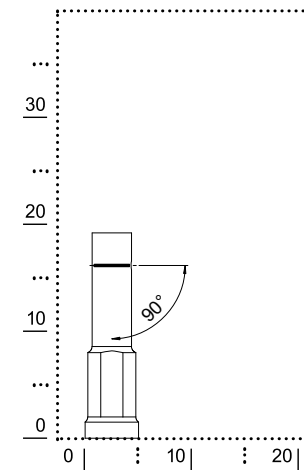
implant cleaning tip IC1
can be easily tightened
without special tools
and is fully autoclavable



- IDENTIFICATION
endo
- MORPHOLOGY
endo files holder 120°
- SURFACE
titanium nitride coat
- TREATMENT
front teeth and premolars treatment



- IDENTIFICATION
endo
- MORPHOLOGY
endo files holder 90°
- SURFACE
titanium nitride coat
- TREATMENT
molars treatment



→ ENDO FILES

→ NITI-FILES FOR ULTRASONIC UNITS

ISO 15



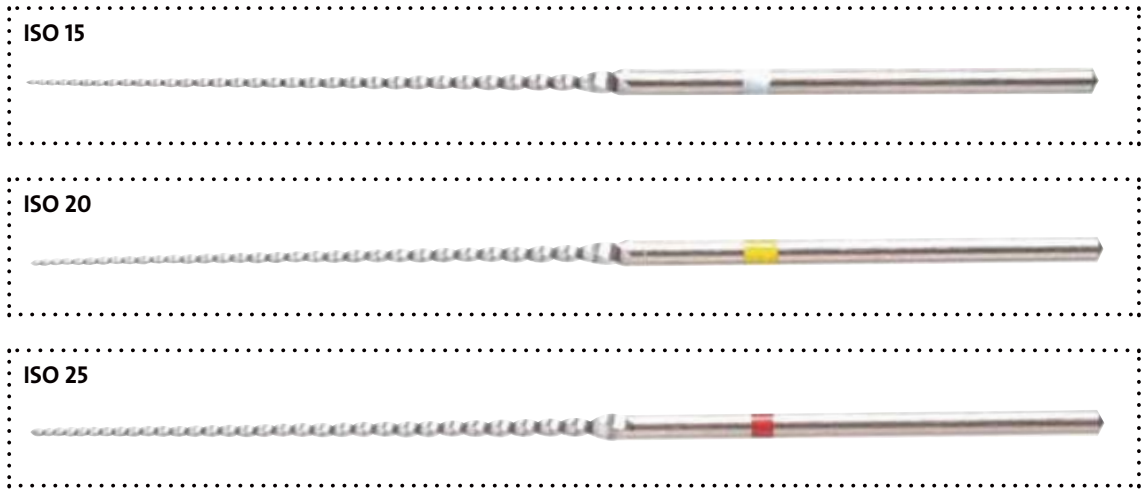
ISO 20



ISO 25



→ 27 MM LENGTH



mectron endo files allow a fast root canal preparation for the consequent tridimensional filling treatment.

The liquid irrigation activated by the ultrasonic system arises a double effect: The root canal disinfection allowed by a bactericidal action combined to the file vibrational temperature increase and the drags removal generated by an acoustic streaming outcome.

→ 31 MM LENGTH

→ ENDO REVISION WITH ER INSERTS

Exposure and removal of root pins, fast and effective removal of calcification in the coronal third of the root, removal of fractured root inserts – the new ER inserts cover the complete spectrum of endodontic revision treatment.





→ IDENTIFICATION

endo revision

→ MORPHOLOGY

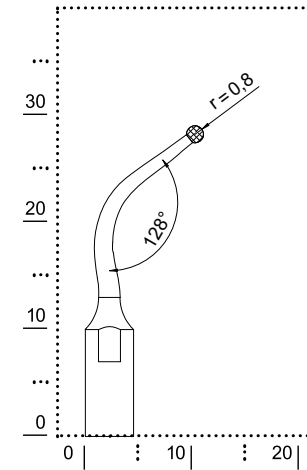
angled shaft with small, spherical ($\varnothing 1.7$ mm) and D30 diamond coated tip

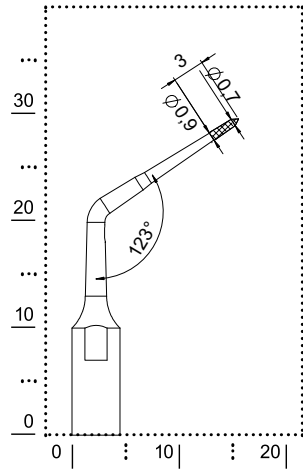
→ SURFACE

titanium nitride coat

→ TREATMENT

exposure of root canal pins





→ IDENTIFICATION

endo revision

→ MORPHOLOGY

angled insert with 0.7 mm \varnothing , working length up to 10 mm, the last 5 mm D30 diamond coated

→ SURFACE

titanium nitride coat

→ TREATMENT

location of concealed or calcified root canal entrances, removal of restoration materials, calcification and fractured inserts in the coronal third of the root canal





→ IDENTIFICATION

endo revision

→ MORPHOLOGY

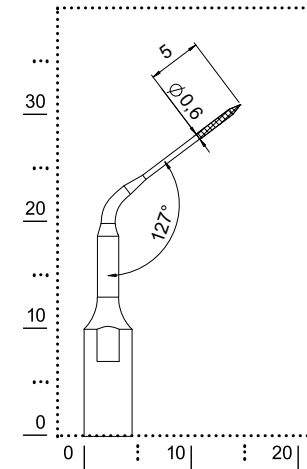
angled insert with 0.6 mm \varnothing , working length up to 10 mm, the last 5 mm D30 diamond coated

→ SURFACE

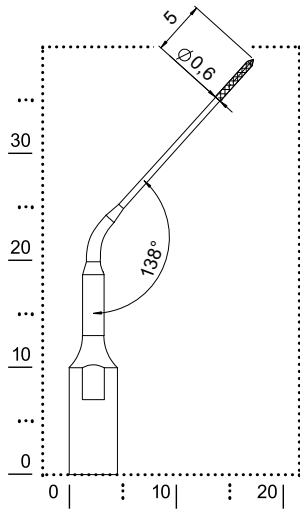
titanium nitride coat

→ TREATMENT

presentation of calcified root canal entrances, removal of root elements and fractured inserts in the coronal third of the root canal



ER4



→ IDENTIFICATION

endo revision

→ MORPHOLOGY

angled insert with 0.6 mm \varnothing , working length up to 20 mm, the last 5 mm D30 diamond coated

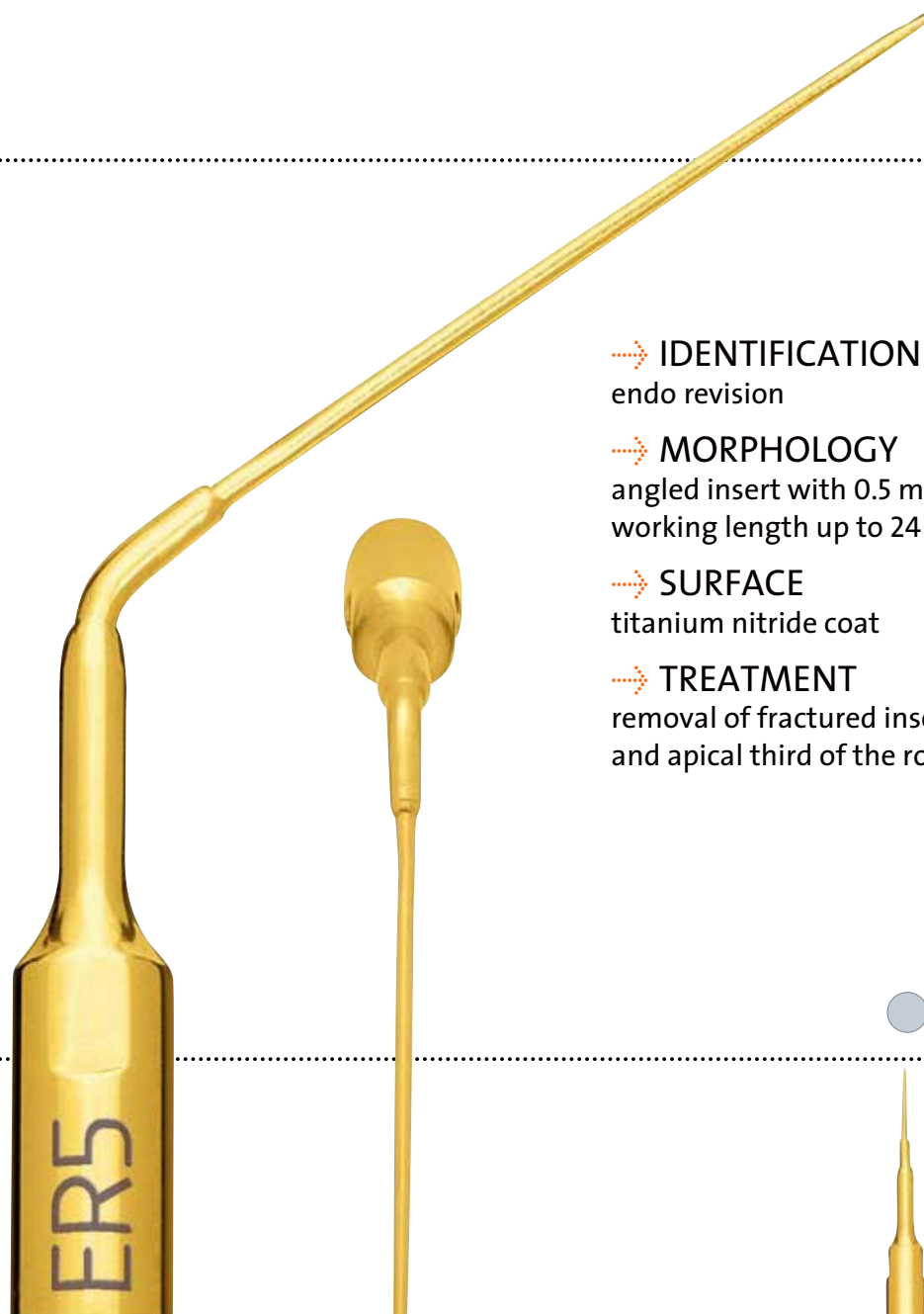
→ SURFACE

titanium nitride coat

→ TREATMENT

presentation of calcified root canals entrances, removal of root elements and fractured inserts in the coronal third of the root canal



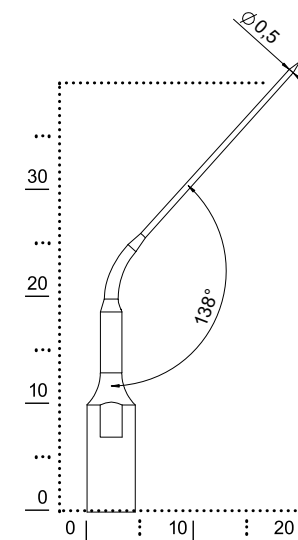


→ **IDENTIFICATION**
endo revision

→ **MORPHOLOGY**
angled insert with 0.5 mm \emptyset ,
working length up to 24 mm

→ **SURFACE**
titanium nitride coat

→ **TREATMENT**
removal of fractured inserts in the medial
and apical third of the root canal



→ ENDO RETRO INSERTS – MINIMAL INVASIVE RETROGRADE ROOT CANAL PREPARATION

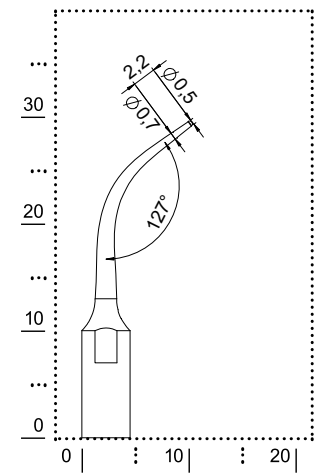
Endo retro inserts assure a satisfying solution to the root canal access issue. Their thin and 90° angled structure allows a conservative cut through a minimum wide bone window.

These advantages facilitate wound healing and spare the patient useless pain.

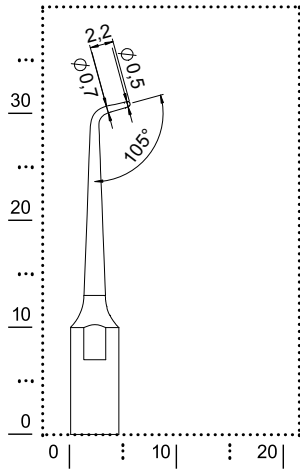




- IDENTIFICATION
endo retro
- MORPHOLOGY
curved insert with a conical round working tip
- SURFACE
titanium nitride coat
- TREATMENT
for cleaning the root canal



R2



→ IDENTIFICATION

endo retro

→ MORPHOLOGY

long, straight insert with 90° angled working tip

→ SURFACE

titanium nitride coat

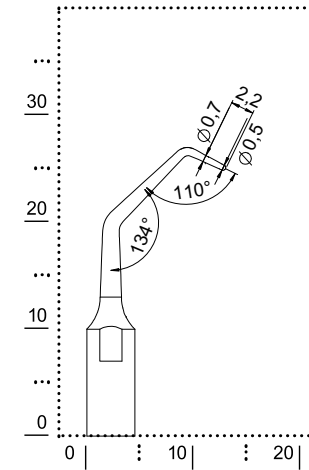
→ TREATMENT

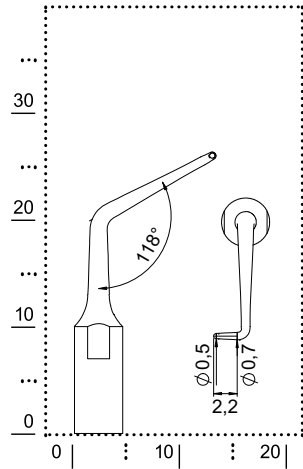
for cleaning the root canal in the front





- IDENTIFICATION
endo retro
- MORPHOLOGY
angled shaft, with 90° angled working tip
- SURFACE
titanium nitride coat
- TREATMENT
for cleaning the root canal in the front





→ IDENTIFICATION

endo retro

→ MORPHOLOGY

angled shaft, with 90° right angled working tip

→ SURFACE

titanium nitride coat

→ TREATMENT

for cleaning the root canal in the molar area





→ IDENTIFICATION

endo retro

→ MORPHOLOGY

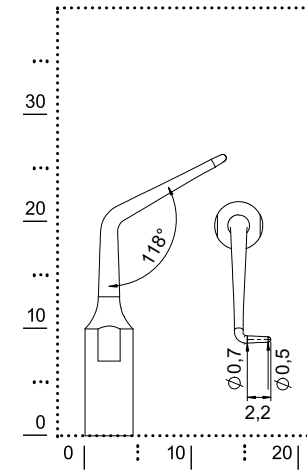
angled shaft, with 90° left angled working tip

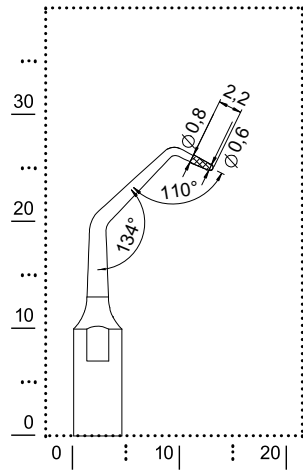
→ SURFACE

titanium nitride coat

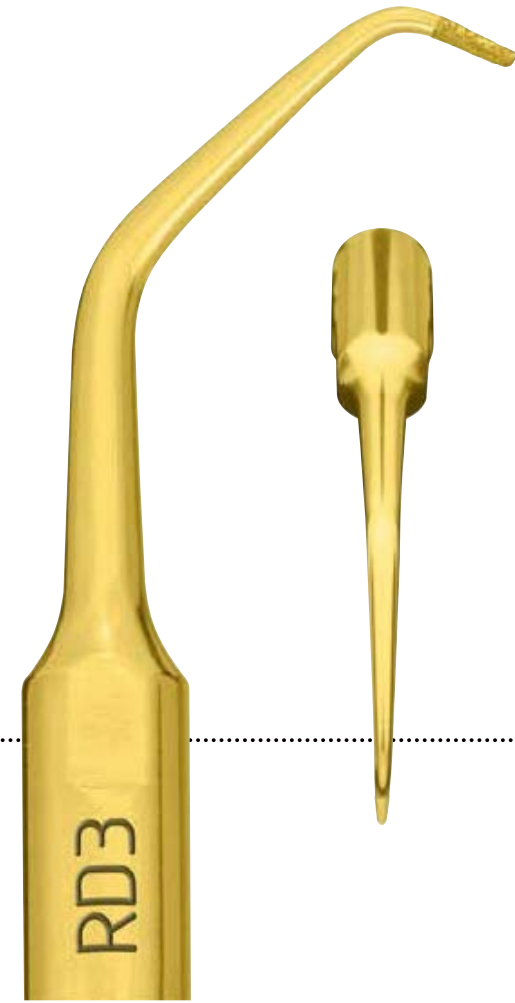
→ TREATMENT

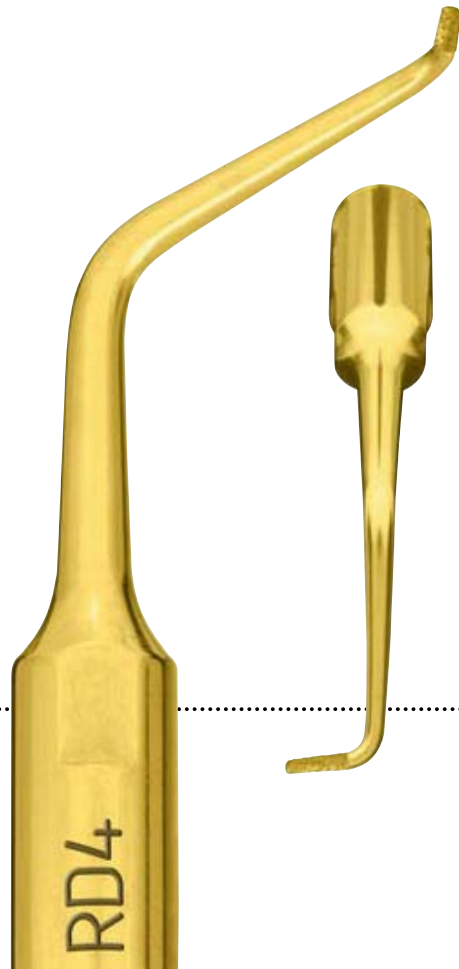
for cleaning the root canal in the molar area





- **IDENTIFICATION**
endo retro
- **MORPHOLOGY**
angled shaft, with 90° angled working tip
and fine diamond coating (D30)
- **SURFACE**
titanium nitride coat
- **TREATMENT**
for cleaning the root canal in the front





→ IDENTIFICATION

endo retro

→ MORPHOLOGY

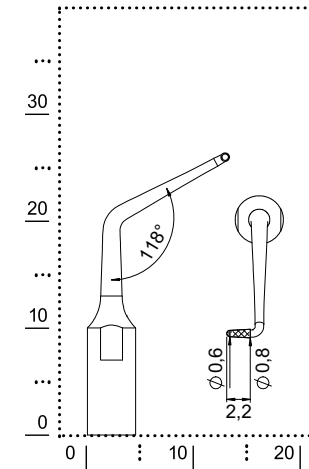
angled shaft, with 90° right angled working tip and fine diamond coating (D30)

→ SURFACE

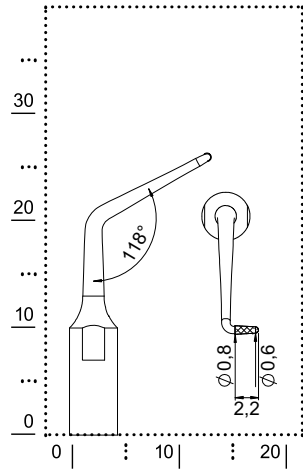
titanium nitride coat

→ TREATMENT

for cleaning the root canal in the molar area



RD5



→ IDENTIFICATION

endo retro

→ MORPHOLOGY

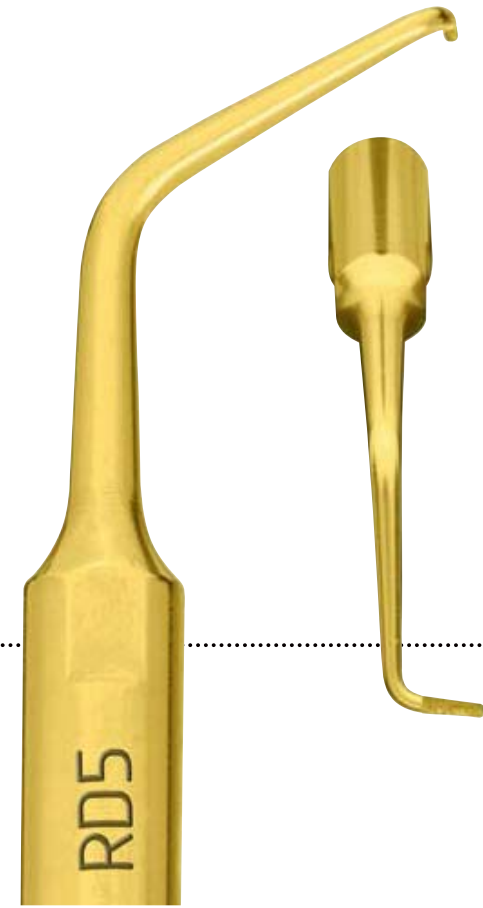
angled shaft, with 90° left angled working tip and fine diamond coating (D30)

→ SURFACE

titanium nitride coat

→ TREATMENT

for cleaning the root canal in the molar area



→ EXTRACTION INSERTS – EXCLUSIVE FOR UNITS WITH PULSE MODE

Even if the primary objective of dentistry is the preservation of natural teeth, sometimes extractions cannot be avoided. In these cases, maximum safety is the most important thing during treatment.

The specially shaped inserts ME1, ME2 and ME3 – with a blade thickness of only 0.35 mm – perfectly fulfill the anatomical demands of non surgical extractions. They offer maximum intra-operative sensitivity, allowing a great preservation of alveolar bone and periodontal tissues. Furthermore, the physiological solution guarantees maximum visibility thanks to the cavitation effect which leads to a temporary hemostasis of blood vessels.

→ EXCLUSIVE FOR UNITS WITH PULSE MODE



→ IDENTIFICATION

extractions

→ MORPHOLOGY

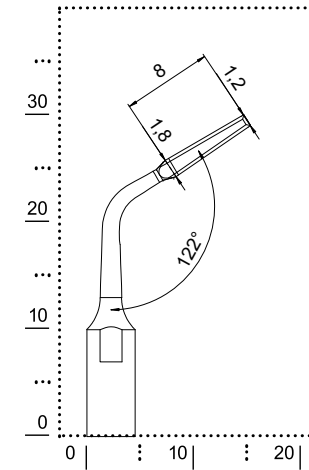
double-edged blade with a thickness of only 0.35 mm

→ SURFACE

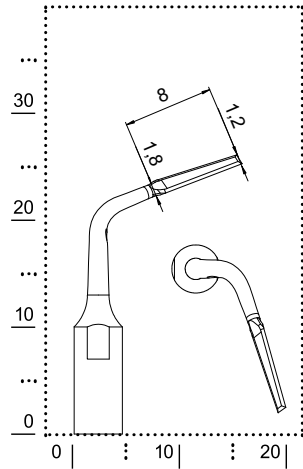
titanium nitride coat

→ TREATMENT

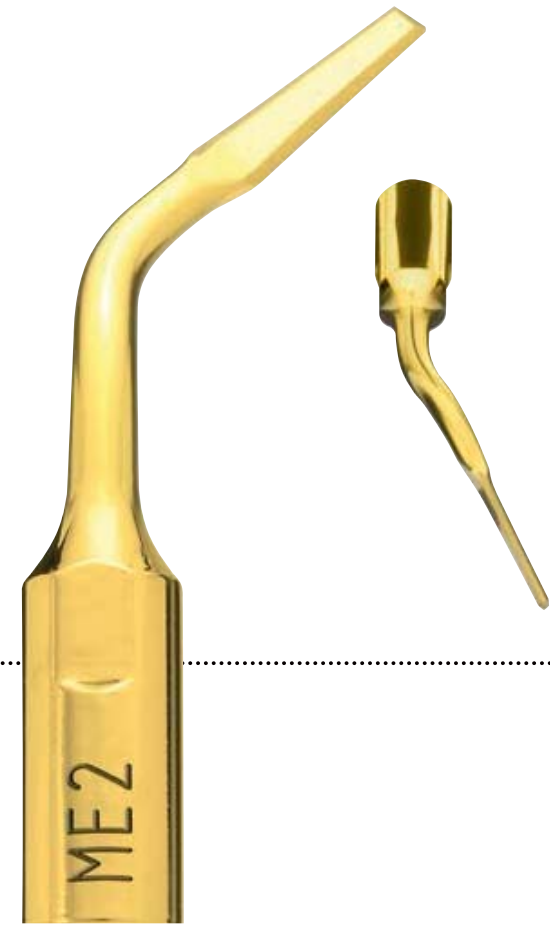
atraumatic teeth removal



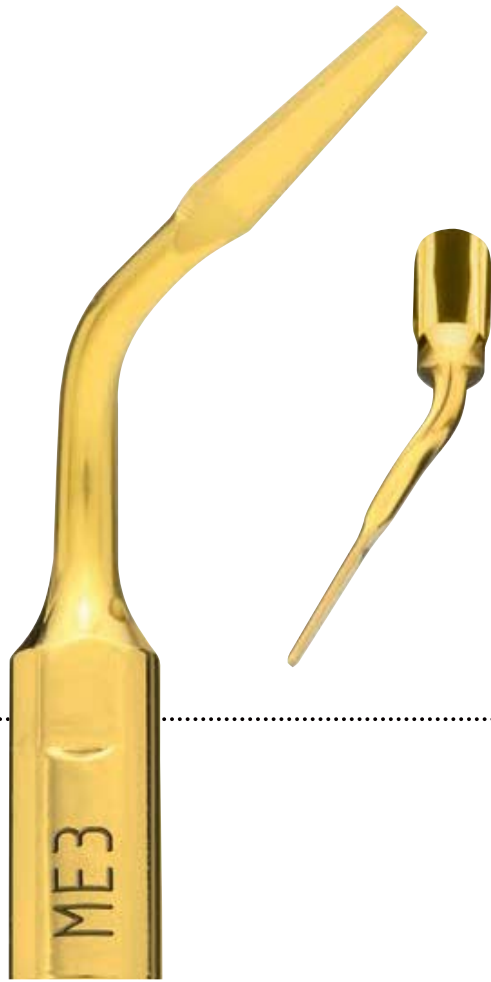
EXTRACTION INSERTS



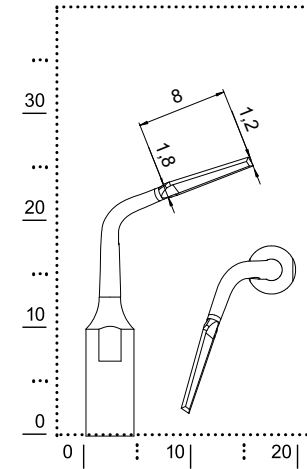
- IDENTIFICATION
extractions
- MORPHOLOGY
left angled, double-edged blade
with a thickness of only 0.35 mm
- SURFACE
titanium nitride coat
- TREATMENT
atraumatic teeth removal



→ EXCLUSIVE FOR UNITS WITH PULSE MODE



- IDENTIFICATION
extractions
- MORPHOLOGY
right angled, double-edged blade
with a thickness of only 0.35 mm
- SURFACE
titanium nitride coat
- TREATMENT
atraumatic teeth removal



EXTRACTION INSERTS



CROWN PREP TIPS



CROWN PREP TIPS – NON TRAUMATIC AND PRECISE!

The crown prep tips are dedicated to the preparation and finishing of subgingival margins. Due to the particular morphology the tips could be used in contact with the margin without damaging the surrounding soft tissue. The preparation margin could be positioned subgingival with more comfort for the patient.

The special shape of the tipholder allows an optimal view on the preparation field. The tipholder brings the crown prep tips to an elliptic movement and enable therefore a circular preparation of the tooth.



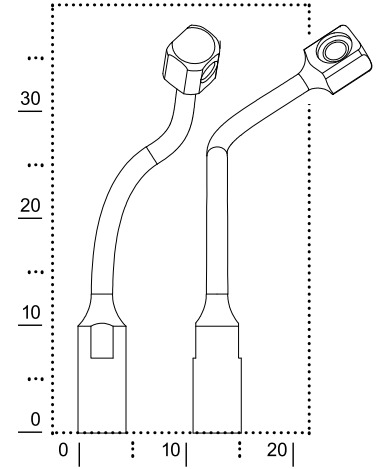
→ TIP HOLDER DB1



→ KEY AB1



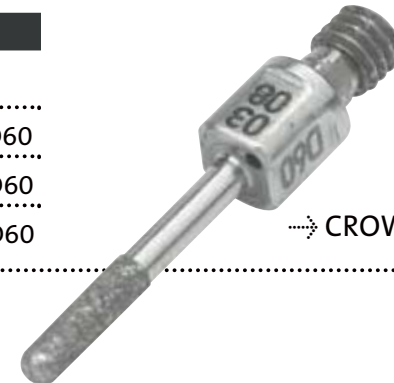
→ DYNAMOMETRIC WRENCH K7



→ TIP HOLDER DB1 WITH CROWN PREP TIP TA14D60

→ LENGTH 10 MM → DIAMOND COATING

diameter	D120	D90	D60
1.2 mm		TA12D90	TA12D60
1.4 mm	TA14D120	TA14D90	TA14D60
1.6 mm	TA16D120	TA16D90	TA16D60



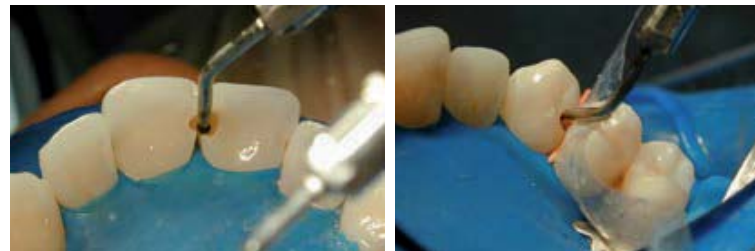
→ CROWN PREP TIP TA14D60



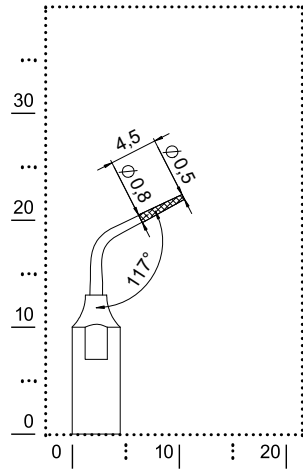
CAVITY PREP INSERTS

→ INSERTS FOR CAVITY PREPARATION – PERFECTLY PREPARED FOR PERFECT PREPARATION.

Thanks to the innovative and patented CVD (Chemical Vapor Deposition) synthetic diamond technology cavity preparation will be revolutionized. The new technology is characterized by important clinical advantages like the reduction of local anesthetics, the decrease of uncomfortable noise, the preservation of soft tissue, extended durability, improved proximal finishing, reduced risk of hitting the adjacent tooth and lack of metal contamination. The cutting efficiency of these new tips is clearly superior, as compared to traditional diamond coated tips available for ultrasonic scalers.







→ IDENTIFICATION

cavity prep

→ MORPHOLOGY

60° angled insert, conical fine tip (0.5 to 0.75 mm ϕ , working length 4 mm) with CVD coating

→ TREATMENT

- removal of tartar and stains, supra- or subgingival
- preparation of pits and fissures with incipient lesions
- removal of excess restoration materials in inter-papilla, supra- and subgingival





→ IDENTIFICATION

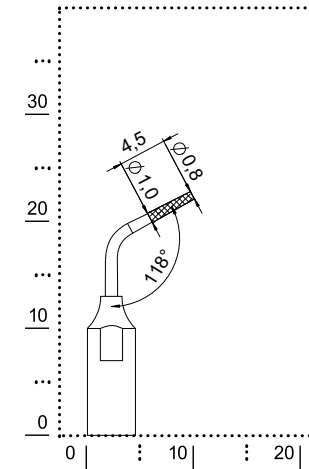
cavity prep

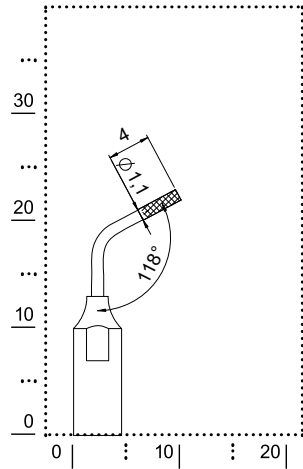
→ MORPHOLOGY

60° angled insert, slightly conical tip
(0.55 to 1.0 mm Ø, working length 4 mm)
with CVD coating

→ TREATMENT

- preparation of pits in more developed lesions
- removal of old restorations





→ IDENTIFICATION

cavity prep

→ MORPHOLOGY

60° angled insert, cylindric tip (1.1 mm Ø, working length 4 mm) with CVD coating

→ TREATMENT

extensive preparations



→ IDENTIFICATION

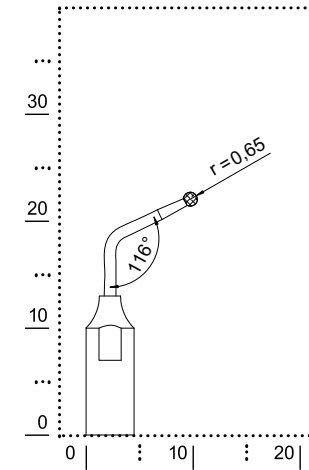
cavity prep

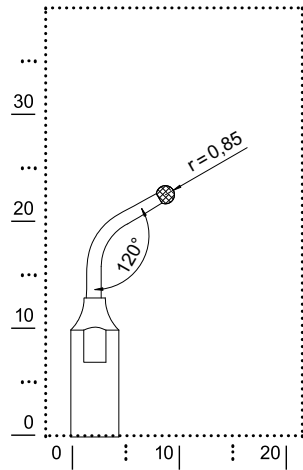
→ MORPHOLOGY

60° angled insert, spherical tip
(1.3 mm Ø) with CVD coating

→ TREATMENT

removal of carious tissues





- IDENTIFICATION
cavity prep
- MORPHOLOGY
45° angled insert, spherical tip
(1.7 mm \varnothing) with CVD coating
- TREATMENT
removal of carious tissues





→ IDENTIFICATION

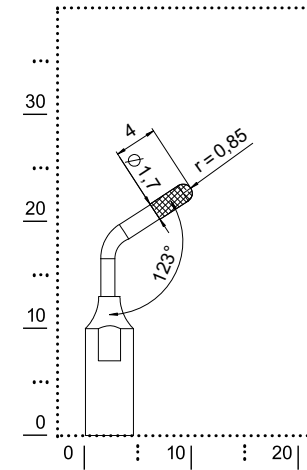
cavity prep

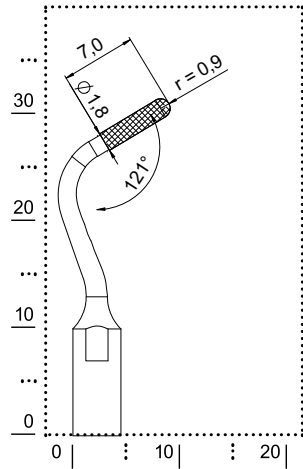
→ MORPHOLOGY

45° angled insert, cylindric with chamfer-shaped tip (1.7 mm \varnothing) with CVD coating

→ TREATMENT

- finishing of prosthetic preparations
- occlusal cavities





→ IDENTIFICATION

cavity margin

→ MORPHOLOGY

angled shaft with torpedo shaped working tip,
 Ø 1.8 mm, medium diamond coating (D91)

→ SURFACE

titanium nitride coat

→ TREATMENT

preparation of the crown core
 and the crown margin





→ IDENTIFICATION

cavity margin

→ MORPHOLOGY

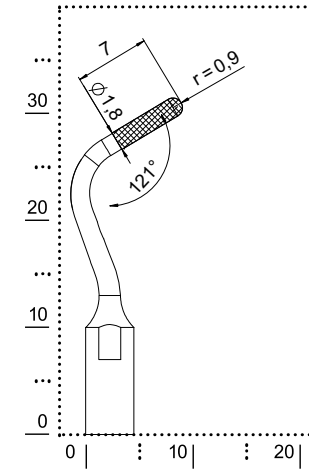
angled shaft with torpedo shaped working tip,
 \varnothing 1.8 mm, fine diamond coating (D30)

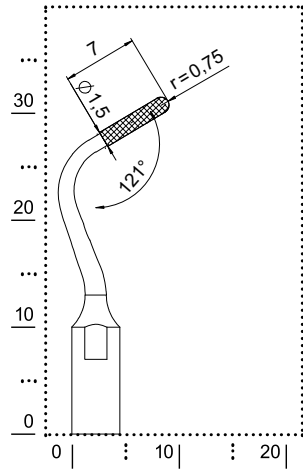
→ SURFACE

titanium nitride coat

→ TREATMENT

fine finishing of the crown core
 and the crown margin





→ IDENTIFICATION

cavity margin

→ MORPHOLOGY

angled shaft with torpedo shaped working tip,
 \varnothing 1.5 mm, medium diamond coating (D91)

→ SURFACE

titanium nitride coat

→ TREATMENT

preparation of the crown core
 and the crown margin





→ IDENTIFICATION

cavity margin

→ MORPHOLOGY

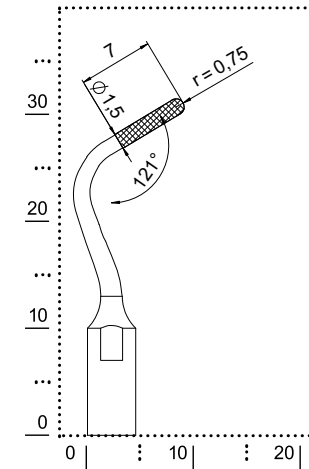
angled shaft with torpedo shaped working tip,
 \varnothing 1.5 mm, fine diamond coating (D30)

→ SURFACE

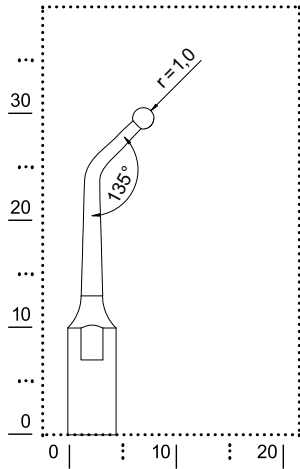
titanium nitride coat

→ TREATMENT

fine finishing of the crown core
 and the crown margin



D1



- IDENTIFICATION
amalgam condensation
- MORPHOLOGY
spherical tip
- SURFACE
titanium nitride coat
- TREATMENT
 - for amalgam condensation in class I, II and V preparations
 - for gold fillings burnishing





→ IDENTIFICATION

amalgam condensation

→ MORPHOLOGY

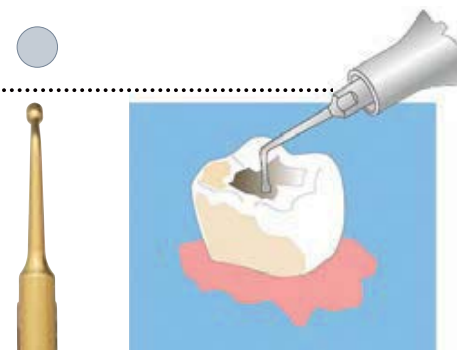
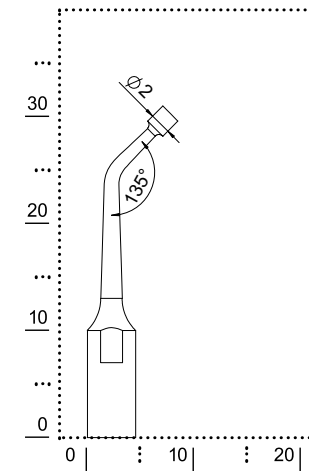
cylindrical tip

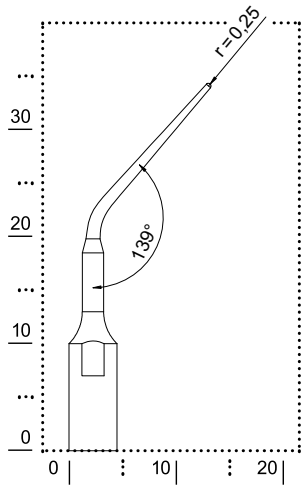
→ SURFACE

titanium nitride coat

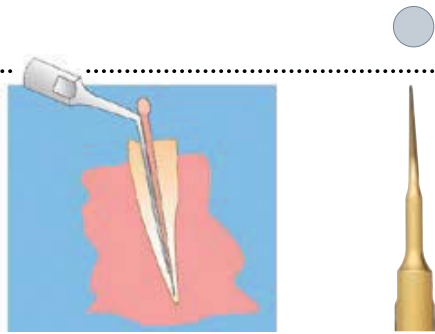
→ TREATMENT

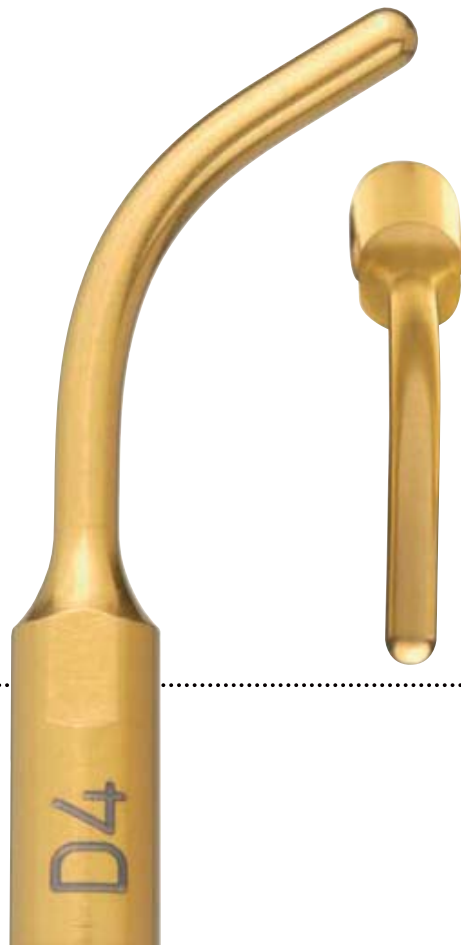
- for amalgam condensation in class I, II and V preparations
- for removing of crowns and bridges



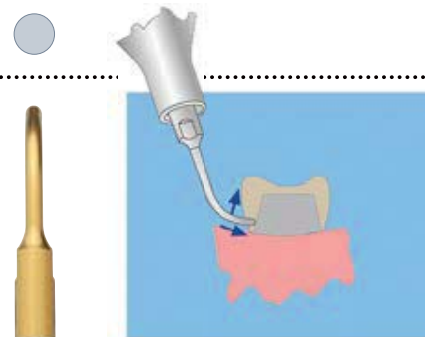
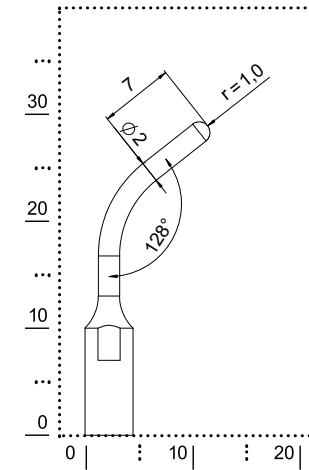


- IDENTIFICATION
endo
- MORPHOLOGY
analogous to a manual spreader
- SURFACE
titanium nitride coat
- TREATMENT
for lateral condensation of guttapercha





- IDENTIFICATION
restorative
- MORPHOLOGY
rounded working tip
- SURFACE
titanium nitride coat
- TREATMENT
for crowns, bridges and
metal points removal





APPROPRIATE INSERT SETTINGS



function	endo perio/scaler restorative	endo perio/scaler restorative	endo perio scaler	power	power
SCALING					
S1, S2, S3, S4, S5, S6, S7, S8	4-6	4-5	6-9	4-6	3-4
PERIO					
P1, P2, P3, P4, P10, P11, P12, P13, P14	1-3	3	3-5	1-3	1-2
IMPLANT CLEANING					
ICS	1	1	1-2 3	1-3	1-2
ENDO					
E1, E2	1-6	1-5	1-2	1-2	1
ENDO REVISION					
ER1	1-6	1-5	3-5 6-9	3-6	2-4
ER2, ER3, ER4, ER5	1-3	1-3	3-5	1-3	1-2
ENDO RETRO					
R1, R2, R3, R4, R5, RD3, RD4, RD5	1-3	1-3	3-5	1-4	1-3



function	endo	perio/scaler	restorative	endo	perio/scaler	restorative	endo	perio	scaler	power	power
EXTRACTION (only for units with pulse mode)											
ME1, ME2, ME3			6			5					
CROWN PREP											
DB1			3-6			3-5			3-5	1-3	1-2
CAVITY MARGIN											
CM1, CM2, CM3, CM4,			1-5			1-4			3-5 6-8	1-5	1-3
CAVITY PREP											
CP1, CP2			1-3			1-3			3-5	1-3	1-2
CP3, CP4, CP5, CP6,			1-4			1-4			3-5 6-7	1-4	1-3
RESTORATIVE											
D1, D2, D4			1-6			1-5			6-9	4-6	3-4
D3			1-5			1-4			6-8	4-6	3-4



REFERENCE NUMBERS

→ ITEM/REFERENCE NUMBER	
kit scaling	02160001
kit scaling high efficiency	02160005
kit perio universal	02160002
kit perio anatomic	02160006
kit endo	02980020
kit endo revision	02160008
kit endo retro	02160004
kit cavity prep***	02160011
kit cavity margin	02160007
kit restorative	02160003
dynamometric wrench K6	02900074
wrench K1	02270003
insert S1	02960001
insert S2	02960002
Insert S3	02960003
insert S4	02960004
insert S5	02960005
insert S6	02960006
insert S7	02960007
insert S8	02960008
insert P1	02970001
insert P2	02970002
insert P3	02970003
insert P4	02970004
insert P10	03080001
insert P11	03080002
insert P12	03080003
insert P13	03080004

→ ITEM/REFERENCE NUMBER	
insert P14	03080005
implant cleaning set S*	02160033
tipholder ICS	03570004
tip IC1 (5 pieces)	02900112
insert E1	02350001
insert E2	02350002
12 x endo file, ISO 15, 31 mm	02730001
12 x endo file, ISO 20, 31 mm	02730002
12 x endo file, ISO 25, 31 mm	02730003
12 x endo file, ISO 15, 27 mm	02740001
12 x endo file, ISO 20, 27 mm	02740002
12 x endo file, ISO 25, 27 mm	02740003
insert ER1	03450001
insert ER2	03450002
insert ER3	03450003
insert ER4	03450004
insert ER5	03450005
insert R1	03050001
insert R2	03050002
insert R3	03050003
insert R4	03050004
insert R5	03050005
insert RD3	03050006
insert RD4	03050007
insert RD5	03050008
insert ME1	03130001
insert ME2	03130002
insert ME3	03130003

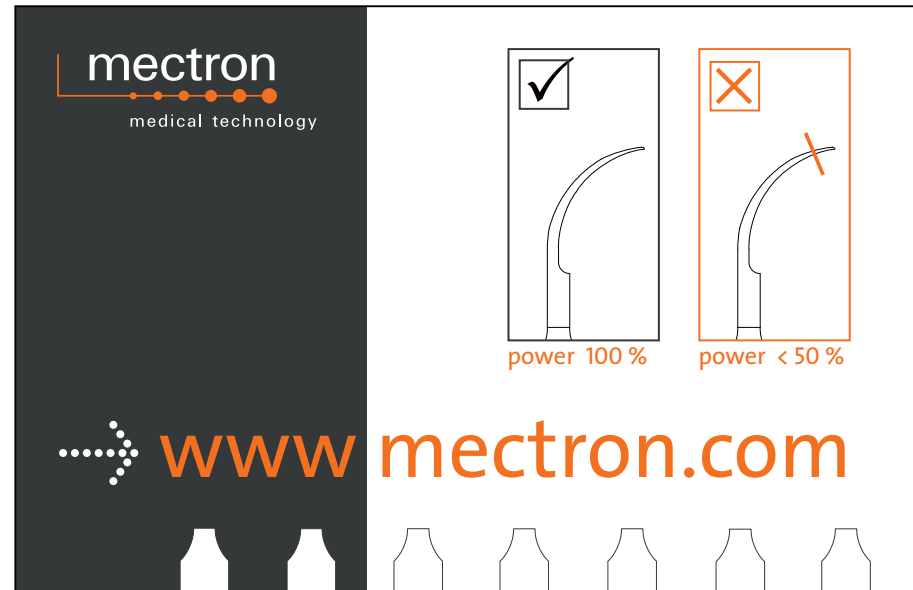
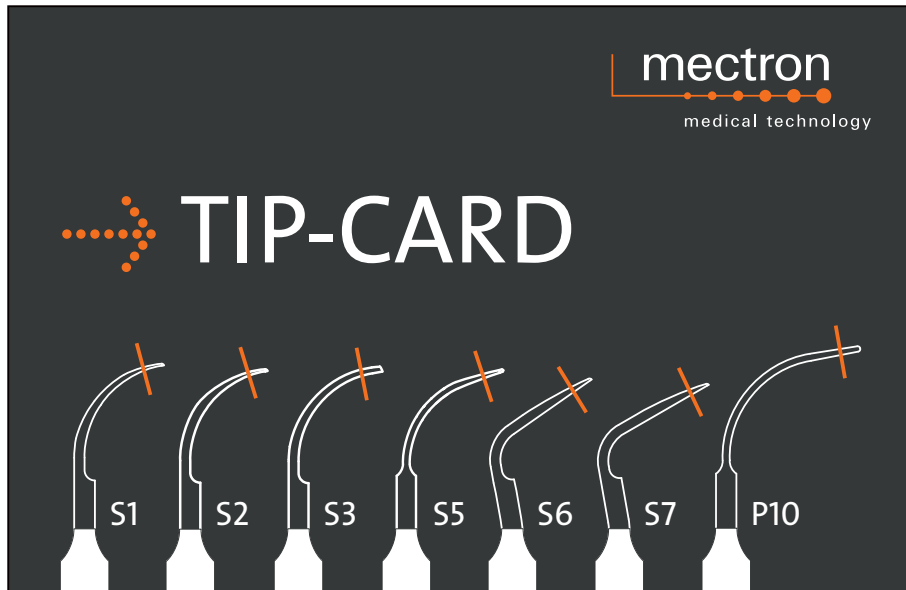
→ ITEM/REFERENCE NUMBER	
crown prep set**	02160009
tipholder DB1	03570001
key AB1	03580001
dynamometric wrench K7	02900081
crown prep tip TA12D60	03590001
crown prep tip TA14D60	03590002
crown prep tip TA16D60	03590003
crown prep tip TA12D90	03590004
crown prep tip TA14D90	03590005
crown prep tip TA16D90	03590006
crown prep tip TA14D120	03590007
crown prep tip TA16D120	03590008
insert CP1***	03970001
insert CP2***	03970002
insert CP3***	03970003
insert CP4***	03970004
insert CP5***	03970005
insert CP6***	03970006
insert CM1	02190003
insert CM2	02190004
insert CM3	02190001
insert CM4	02190002
insert D1	02990001
insert D2	02990002
insert D3	02990003
insert D4	02990004

* dotated with: ICS and 5 x IC1

** dotated with: AB1, DB1 + K7

*** available only in Europe

MECTRON TIP CARD



Ultrasonic inserts wear out the same as hand inserts. Regularly check your inserts by means of the erosion tip card. Whenever your inserts are shorter than the red hatched line, their performance is 50% less than the initial one. Such inserts should be quickly replaced.

mectron s.p.a., via Loreto 15/A,
16042 Carasco (Ge), Italy,
tel +39 0185 35361, fax +39 0185 351374

 www.mectron.com – mectron@mectron.com

© Copyright mectron S.p.A., Carasco, Italy
All rights reserved. Texts, pictures and graphics of mectron brochures are protected by copyright
and other protection laws. Without written approval of mectron S.p.A. the contents may not be
copied, distributed, changed or made available to third parties for commercial purposes.