



Instagram

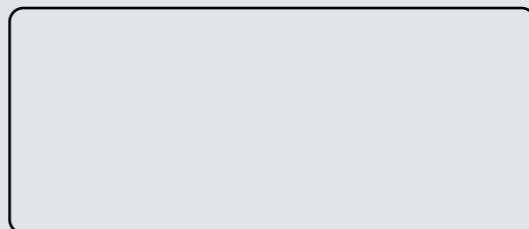


YouTube



Facebook

DISTRIBUTED BY



Changzhou Sifary Medcial Technology Co., Ltd  
Add: NO.99, Qingyang Road, Xuejia County, Xinbei  
District, Changzhou City, 213000 Jiangsu, China  
Email: ivy@sifary.com  
Web: www.eighteeth.com

<https://stomshop.pro/>



# TIP BOOK



# CATALOG

## Scaling

**G1**



Order Code: 6680523

1

**G1-S**



Order Code: 6680617

**G2**



Order Code: 6680524

2

**G2-S**



Order Code: 6680618

**G4**



Order Code: 6680526

3

**G4-S**



Order Code: 6680619

3

**G5**



Order Code: 6680527

4

**G5-S**



Order Code: 6680620

Periodontic

**P1**

Order Code: 6680528



5

**P1-S**

Order Code: 6680621



**P3**

Order Code: 6680529



6

**P3-S**

Order Code: 6680622



**P4**

Order Code: 6680530



7

**P4-S**

Order Code: 6680623



7

**P52**

Order Code: 6680533



8

**P52-S**

Order Code: 6680626



**P50L**

Order Code: 6680531



9

**P50L-S**

Order Code: 6680624



**P50R**

Order Code: 6680532



10

**P50R-S**

Order Code: 6680625



**P53L**

Order Code: 6680534



11

**P53L-S**

Order Code: 6680627



**P53R**

Order Code: 6680535



12

**P53R-S**

Order Code: 6680628



12

**P59**

Order Code: 6680536



13

**P59-S**

Order Code: 6680630



**P56**

Order Code: 6680544



14

**P56-S**

Order Code: 6680629



**Endodontic**

**P3D**

Order Code: 6680654



15

**P3-SD**

Order Code: 6680636



**P4D**

Order Code: 6680631



16

**P4-SD**

Order Code: 6680637



**E1**

Order Code: 6680537



17

**E1-S**

Order Code: 6680656



**E3**

Order Code: 6680538



18

**E3-S**

Order Code: 6680657



**E4**

Order Code: 6680539



19

**E4-S**

Order Code: 6680658



19

**E5**

Order Code: 6680540



20

**E5-S**

Order Code: 6680659



**E7**

Order Code: 6680542



21

**E7-S**

Order Code: 6680660



**E8**

Order Code: 6680608



22

**E8-S**

Order Code: 6680614



**E9**

Order Code: 6680609



23

**E9-S**

Order Code: 6680615



**E10**

Order Code: 6680610



24

**E10-S**

Order Code: 6680616



24

**E3D**

Order Code: 6680651



25

**E3-SD**

Order Code: 6680638



**E30**

Order Code: 6680611



26

**E30-S**

Order Code: 6680661



**E31**

Order Code: 6680612



27

**E31-S**

Order Code: 6680662



**E4D**

Order Code: 6680652



28

**E4-SD**

Order Code: 6680639



**E5D**

Order Code: 6680653



29

**E5-SD**

Order Code: 6680640



29

**E6D**

Order Code: 6680632



30

**E6-SD**

Order Code: 6680641



**E7D**

Order Code: 6680633



31

**E7-SD**

Order Code: 6680642



**E8D**

Order Code: 6680634



32

**E8-SD**

Order Code: 6680643



**TC1D**

Order Code: 6680648



33

**TC1-SD**

Order Code: 6680650





<https://stomshop.pro/>



SCALING

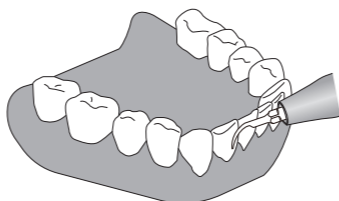
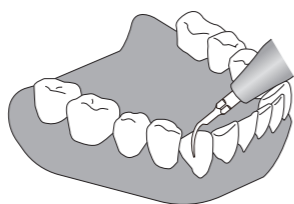
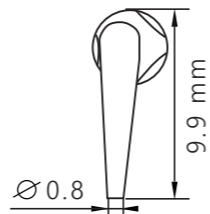
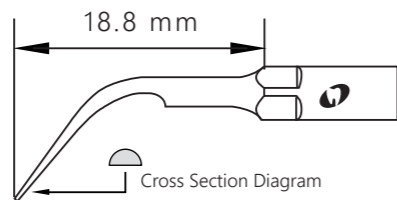
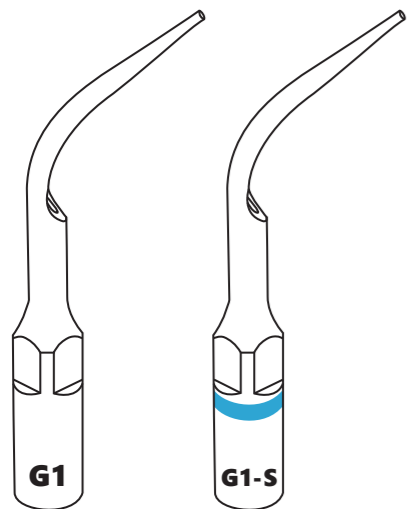
EMS® G1

Order Code 6680523

Satelec® G1-S

Order Code 6680617

Function Description: All-round removal of supragingival calculus



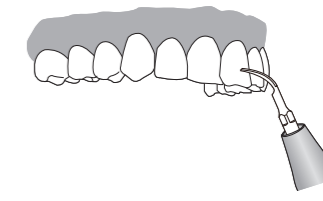
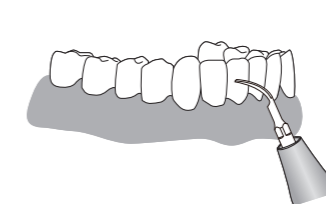
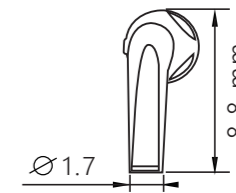
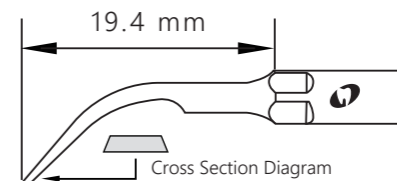
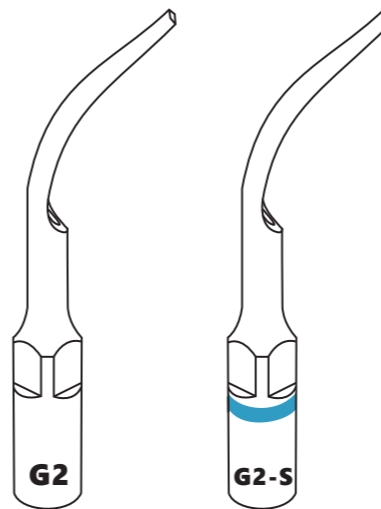
EMS® G2

Order Code 6680524

Satelec® G2-S

Order Code 6680618

Function Description: Removal of significant supragingival calculus



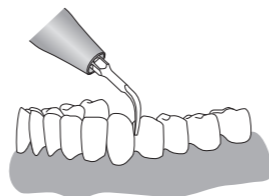
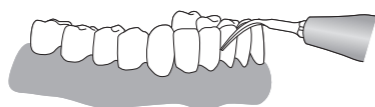
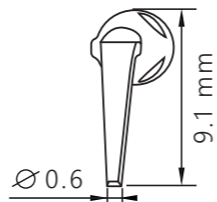
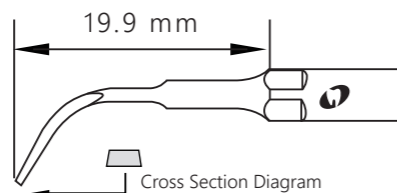
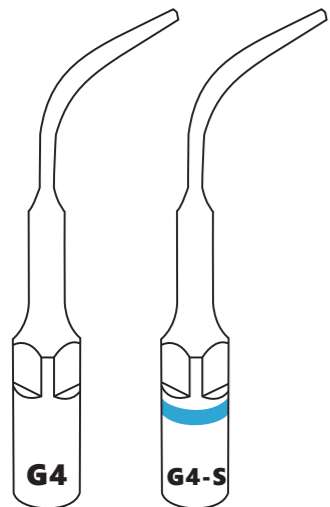
EMS® G4

Order Code 6680526

Satelec® G4-S

Order Code 6680619

Function Description: Used for supragingival and interdental space scaling



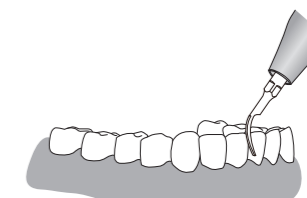
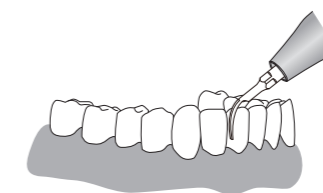
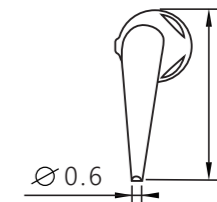
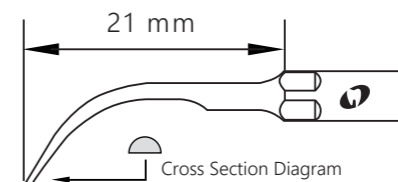
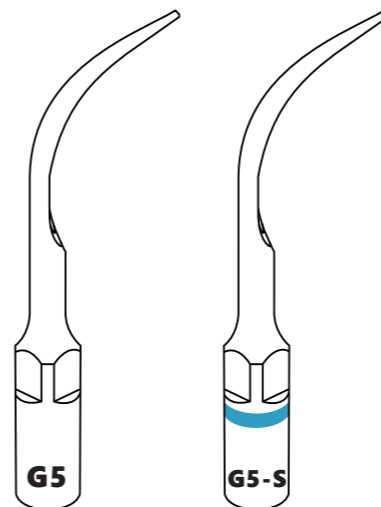
EMS® G5

Order Code 6680527

Satelec® G5-S

Order Code 6680620

Function Description: Removal of significant supragingival calculus





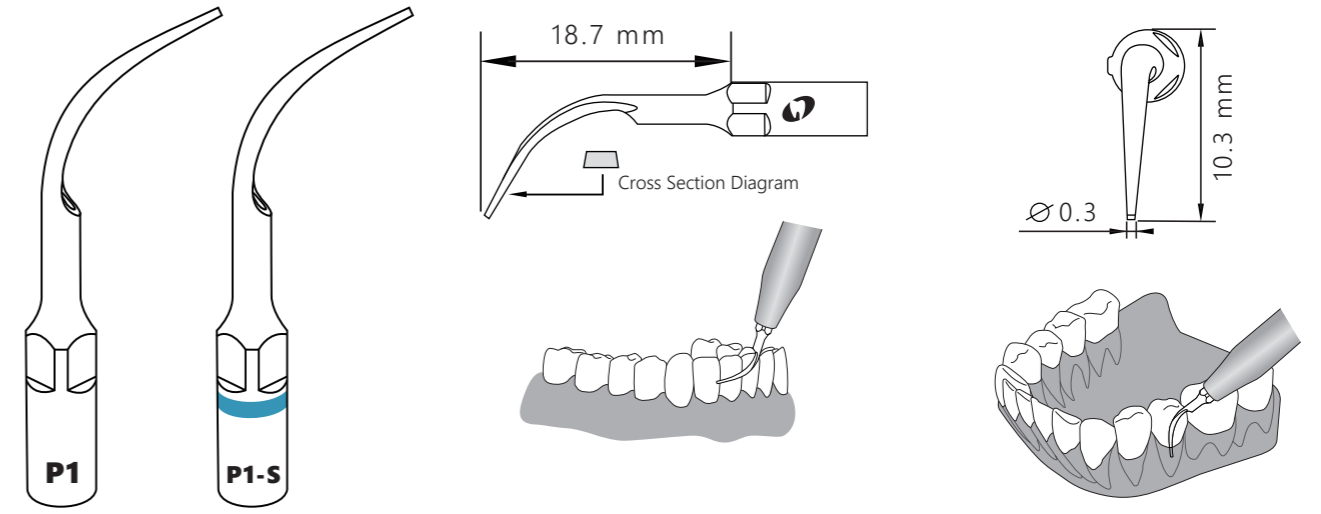


# PERIODONTIC

**EMS P1**  
**Satelec P1-S**

Order Code **6680528**  
Order Code **6680621**

**Function Description: Removal of subgingival calculus and periodontal irrigation**



**P** Mode: P  
Power: 1-10

**Recommended Service Life**  
150 Teeth

**Water Flow Rate**  
mid&high

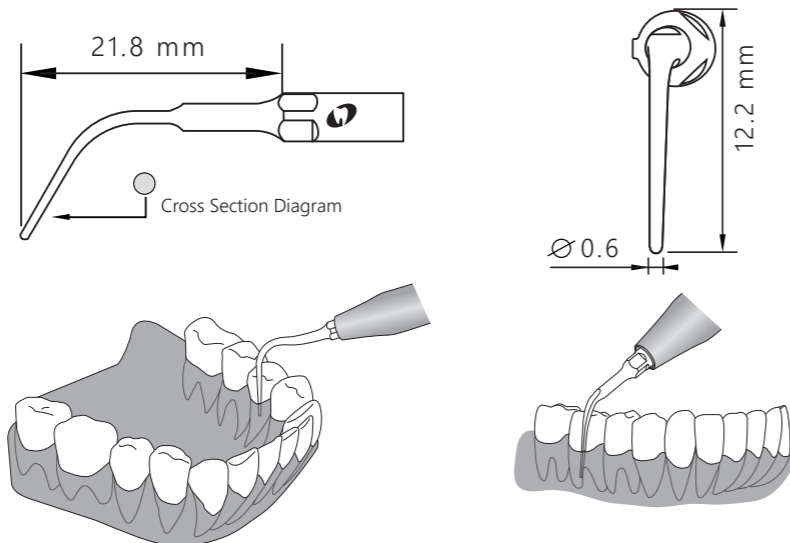
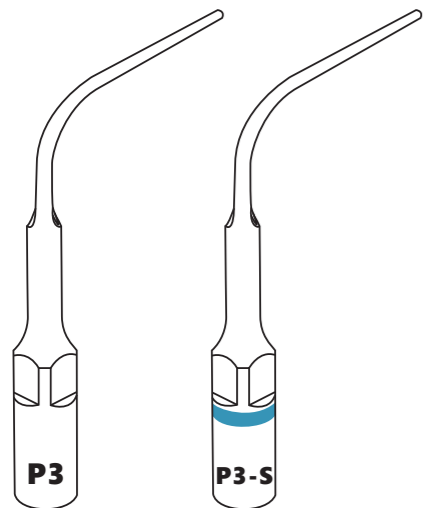
EMS® P3

Order Code 6680529

Satelec® P3-S

Order Code 6680622

Function Description: Removal of calculus deep in periodontal pocket and its irrigation



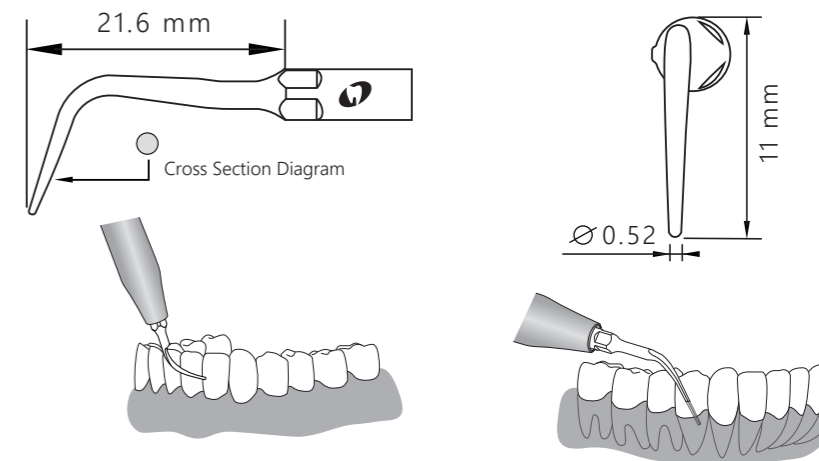
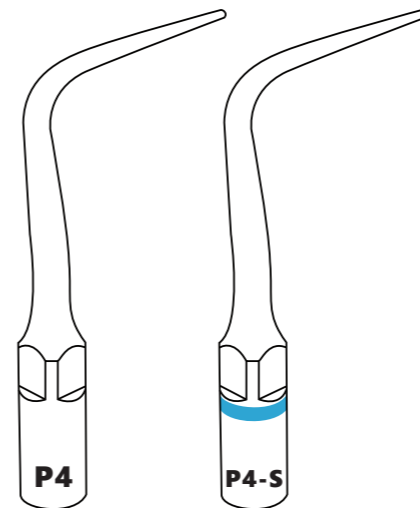
EMS® P4

Order Code 6680530

Satelec® P4-S

Order Code 6680623

Function Description: Removal of calculus in shallow pockets



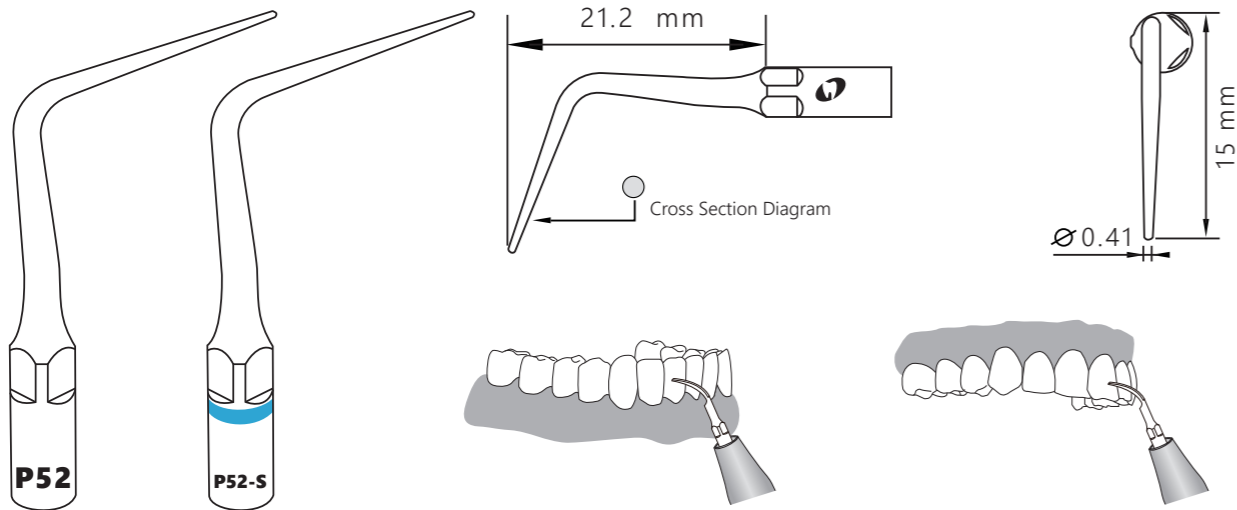
EMS® P52

Order Code 6680533

Satelec® P52-S

Order Code 6680626

Function Description: Supragingival scaling



**P**  
Mode: P  
Power: 1-10

**⌚**  
Recommended  
Service Life  
80 Teeth

**Water Flow Rate  
high**

x x ✓

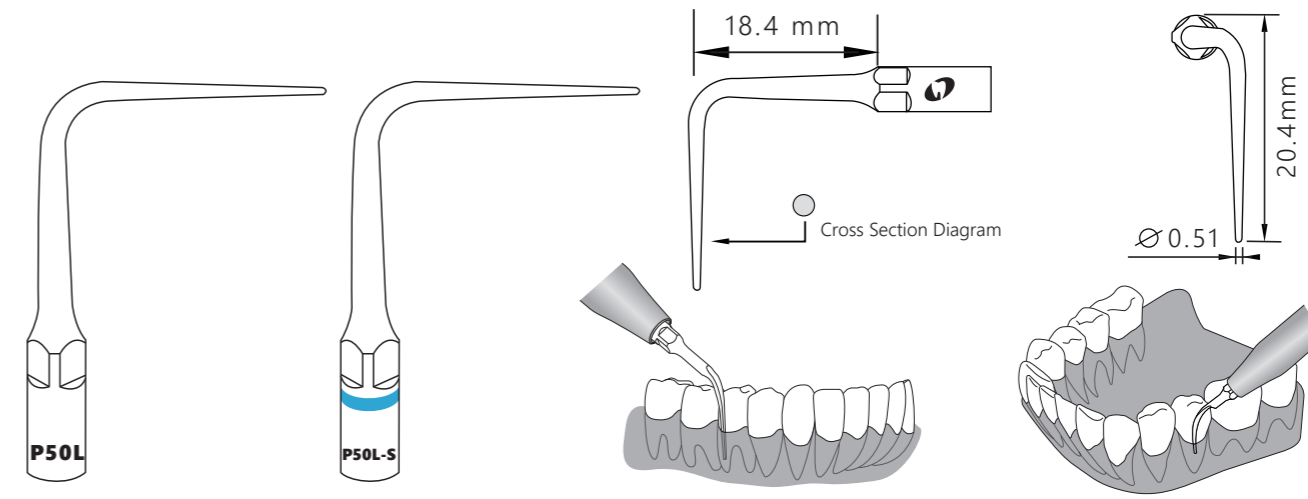
EMS® P50L

Order Code 6680531

Satelec® P50L-S

Order Code 6680624

Function Description: Used for subgingival calculus probing, subgingival proximal surface scaling and root planing



**P**  
Mode: P  
Power: 1-10

**⌚**  
Recommended  
Service Life  
80 Teeth

**Water Flow Rate  
high**

x x ✓

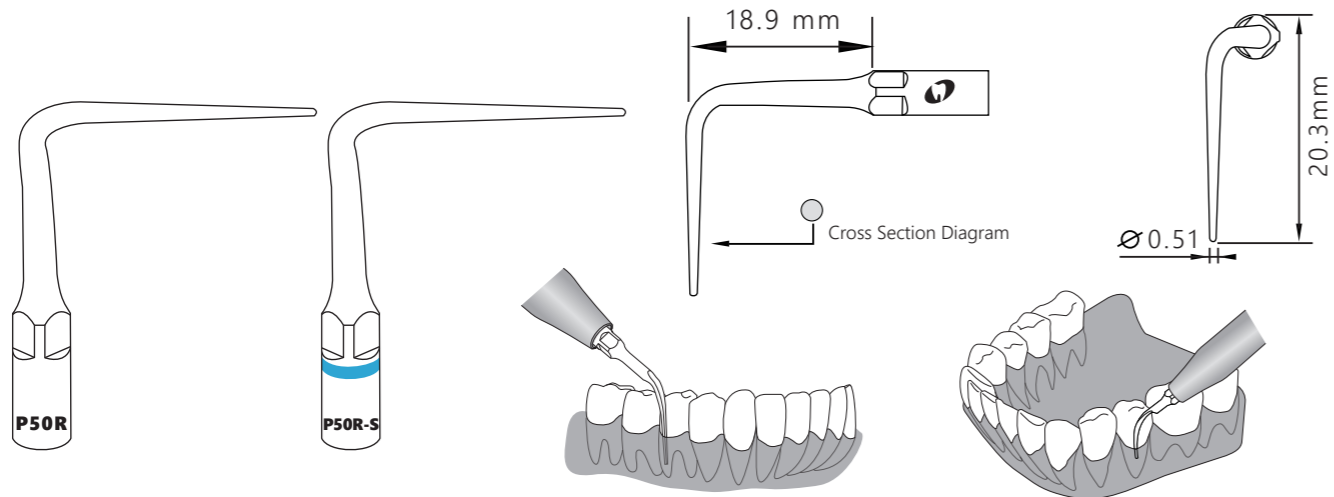
EMS® P50R

Order Code 6680532

Satelec® P50R-S

Order Code 6680625

Function Description: Used for subgingival calculus probing, subgingival proximal surface scaling and root planing



Mode: P  
Power: 1-10

Recommended  
Service Life  
80 Teeth

Water Flow Rate  
high

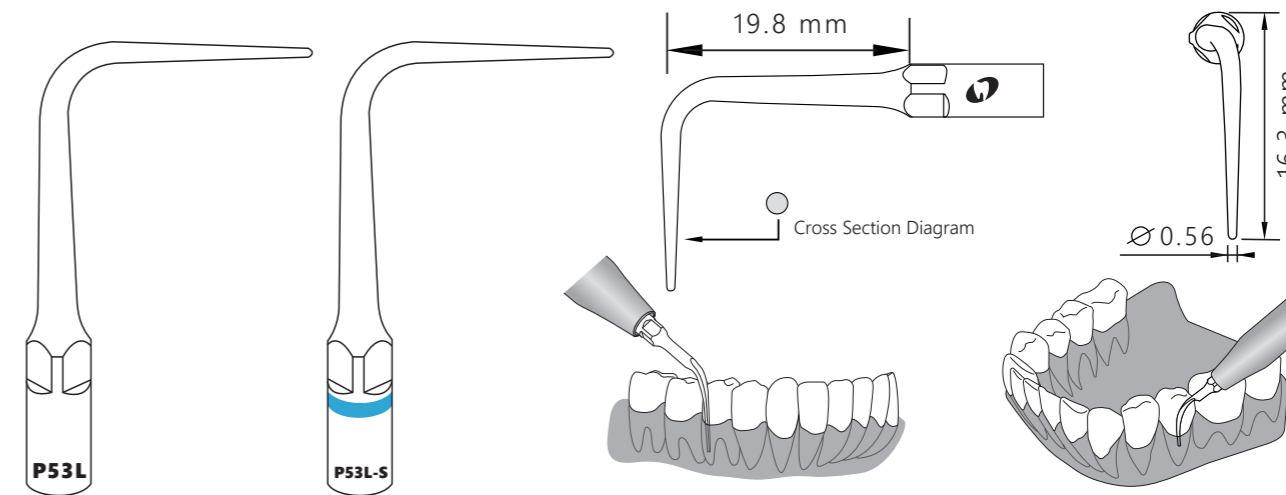
EMS® P53L

Order Code 6680534

Satelec® P53L-S

Order Code 6680627

Function Description: Used for subgingival calculus probing, subgingival proximal surface scaling and root planing



Mode: P  
Power: 1-10

Recommended  
Service Life  
80 Teeth

Water Flow Rate  
mid&high

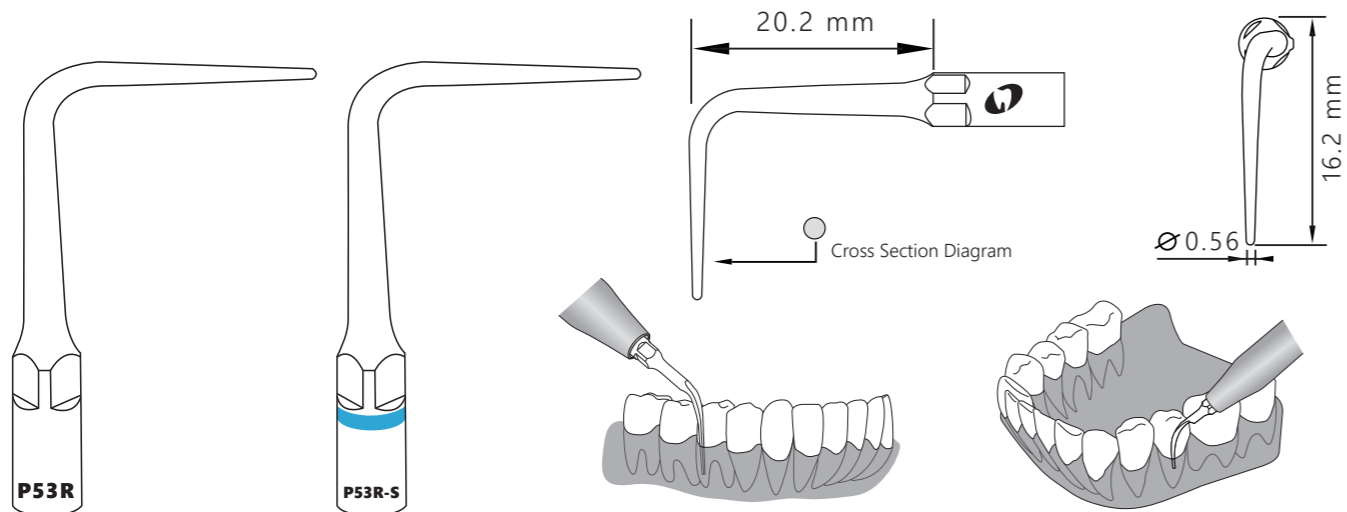
EMS® P53R

Order Code 6680535

Satelec® P53R-S

Order Code 6680628

Function Description: Used for subgingival calculus probing, subgingival proximal surface scaling and root planing



**P** Mode: P  
Power: 1-10

**⌚** Recommended Service Life  
80 Teeth

**Water Flow Rate**  
mid&high

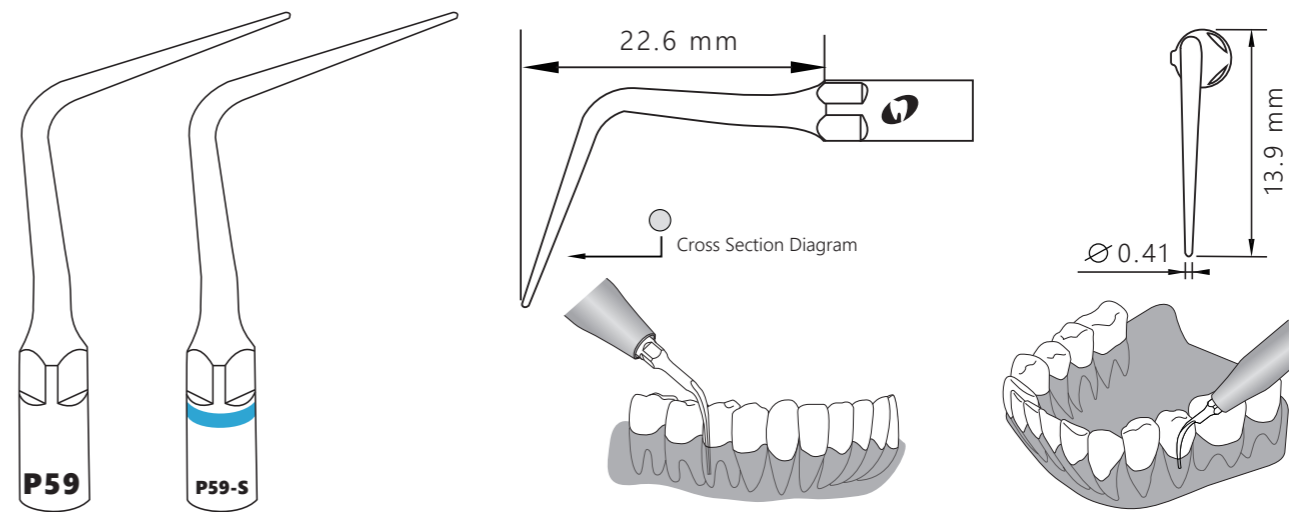
EMS® P59

Order Code 6680536

Satelec® P59-S

Order Code 6680630

Function Description: Used for subgingival calculus probing and scaling



**P** Mode: P  
Power: 1-6

**⌚** Recommended Service Life  
80 Teeth

**Water Flow Rate**  
high

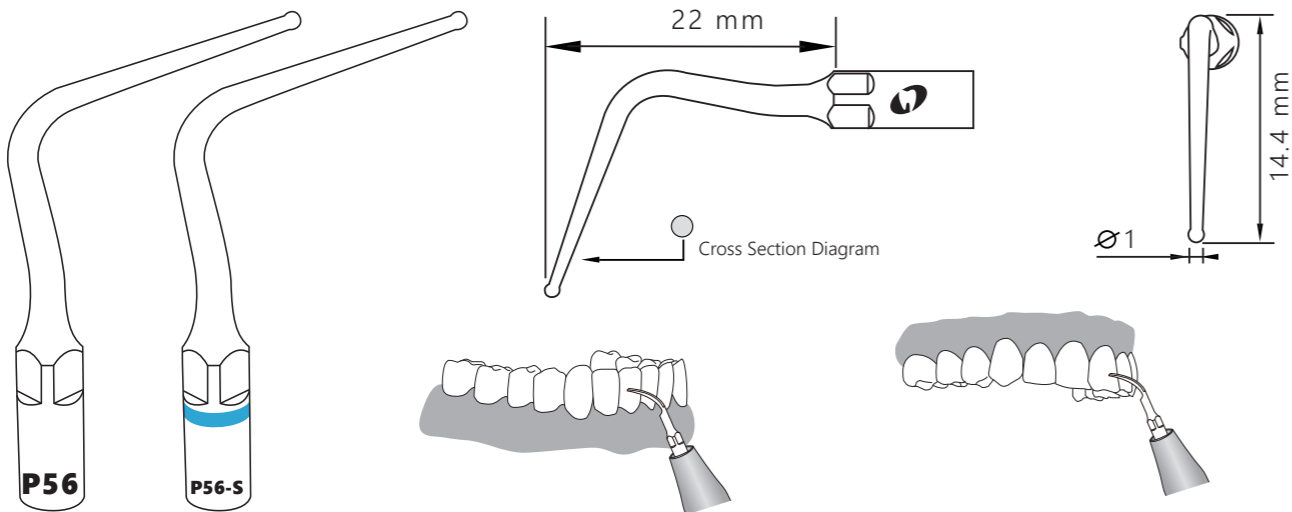
EMS® P56

Order Code 6680544

Satelec® P56-S

Order Code 6680629

Function Description: Removal of significant supragingival calculus and plaque



**P**  
Mode: P  
Power: 1-10

**Recommended Service Life**  
80 Teeth

**Water Flow Rate**  
high

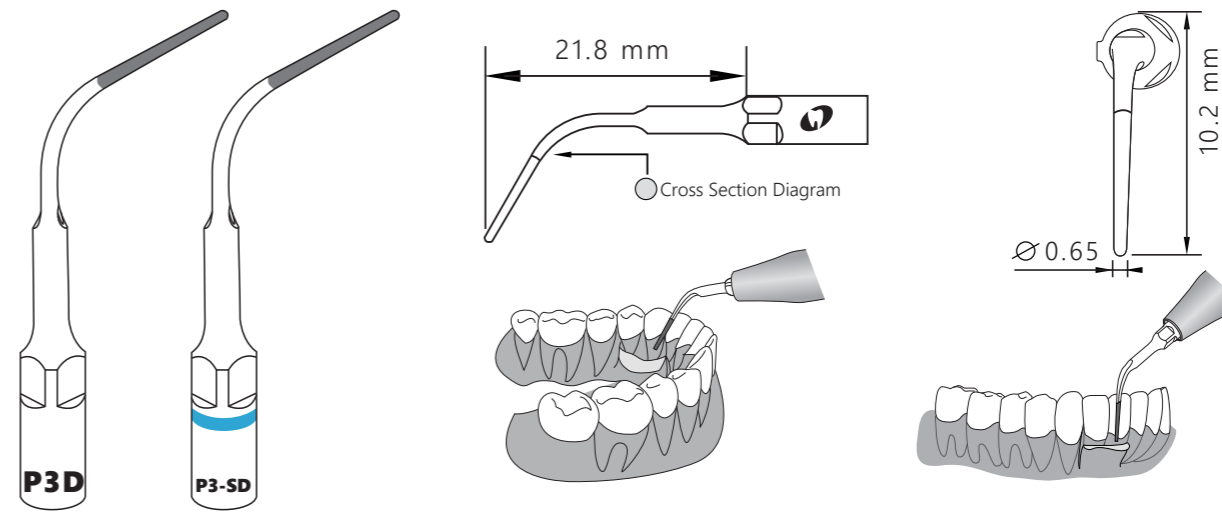
EMS® P3D

Order Code 6680654

Satelec® P3-SD

Order Code 6680636

Function Description: Used to level off the surface of endo after the periodontal flap surgery



**P**  
Mode: P  
Power: 1-6

**Recommended Service Life**  
50 Teeth

**Water Flow Rate**  
mid&high

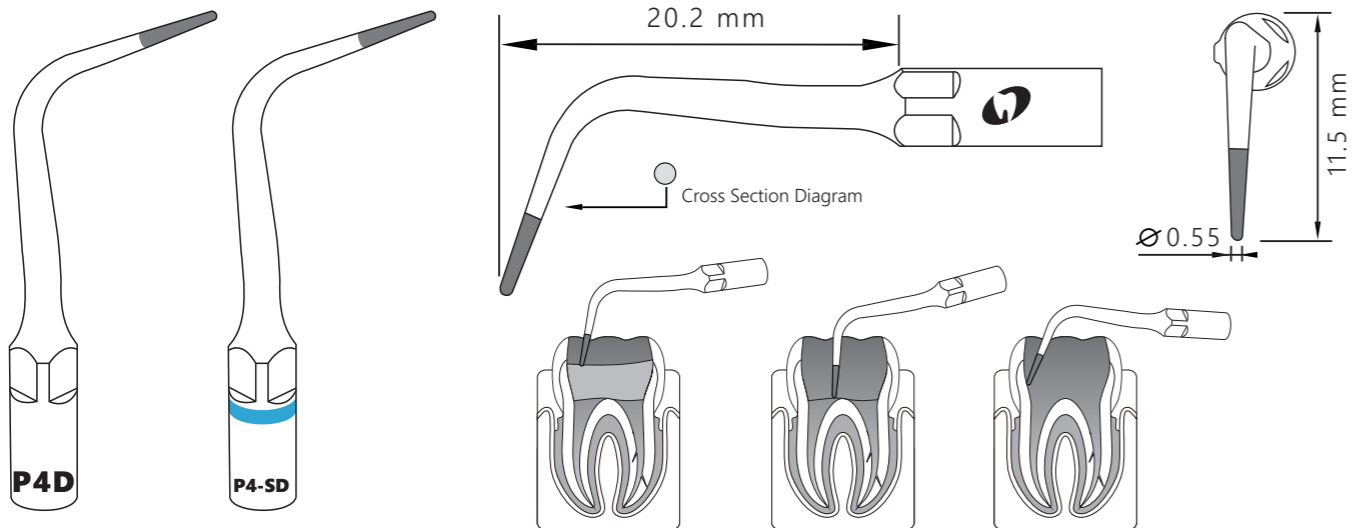
EMS® P4D

Order Code 6680631

Satelec® P4-SD

Order Code 6680637

Function Description: For locating root canal and removal of calcification on the one-third of crown



Mode: P  
Power: 1-6



Recommended  
Service Life  
50 Teeth



Water Flow Rate  
low, mid & high



ENDODONTIC

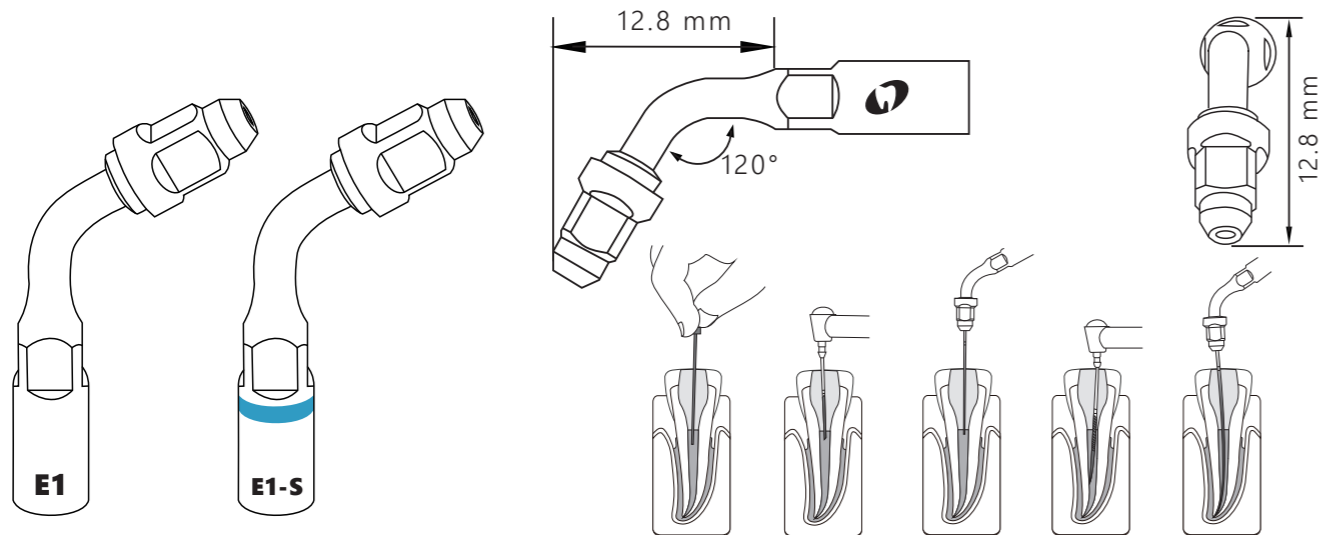
EMS® E1

Order Code 6680537

Satelec® E1-S

Order Code 6680656

Function Description: 120° angle holder for 0.7mm-0.8mm endo file for root canal cleaning



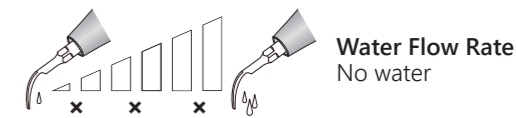
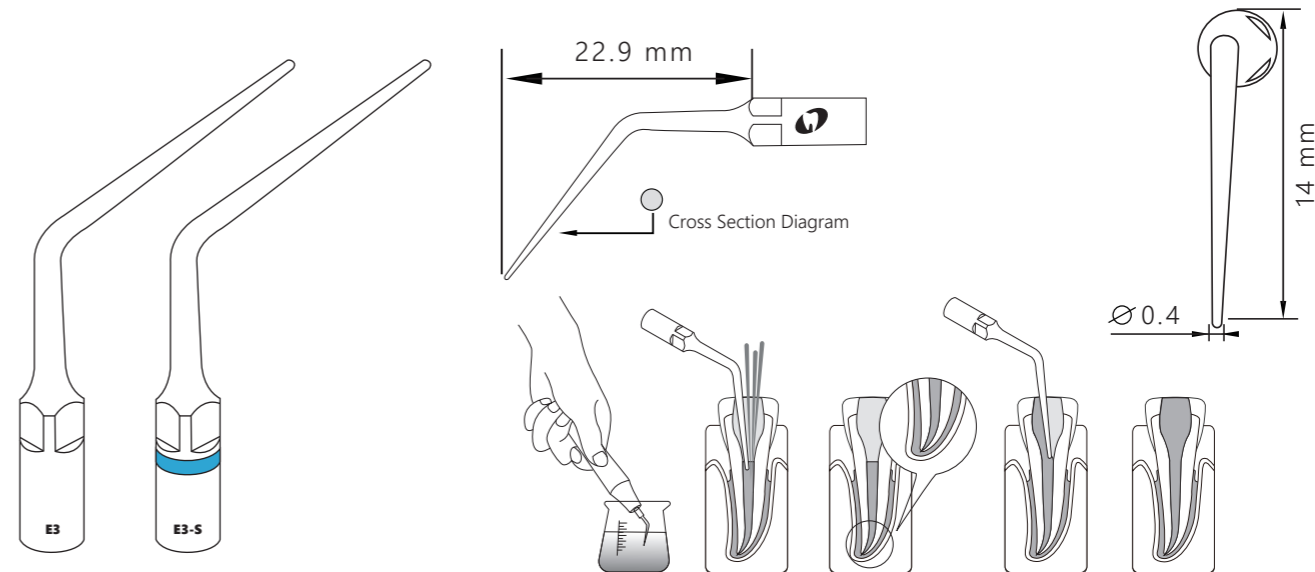
EMS® E3

Order Code 6680538

Satelec® E3-S

Order Code 6680657

Function Description: For lateral condensation of gutta percha by heating effect





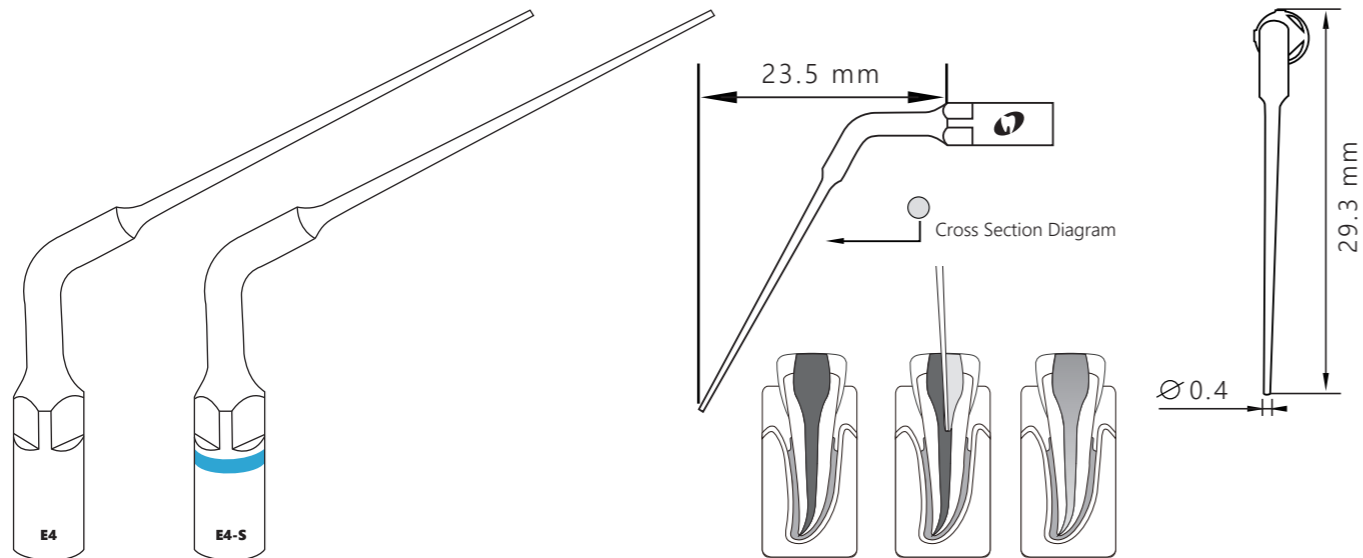
EMS® E4

Order Code 6680539

Satelec® E4-S

Order Code 6680658

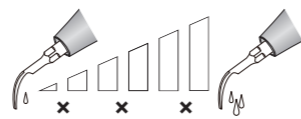
Function Description: Removal of foreign filling material during re-treatment



Mode: E  
Power: 1-6



Recommended  
Service Life  
100 root canals



Water Flow Rate  
No water

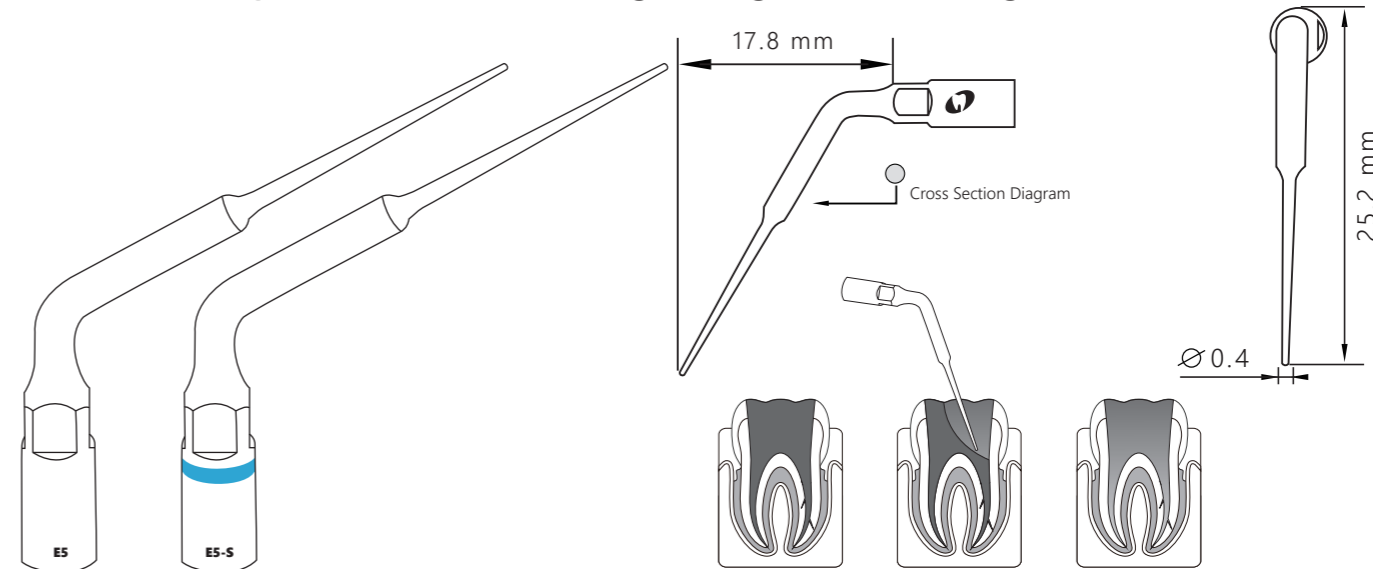
EMS® E5

Order Code 6680540

Satelec® E5-S

Order Code 6680659

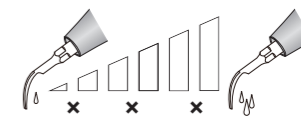
Function Description: Removal of foreign filling material during re-treatment



Mode: E  
Power: 1-6



Recommended  
Service Life  
100 root canals



Water Flow Rate  
No water

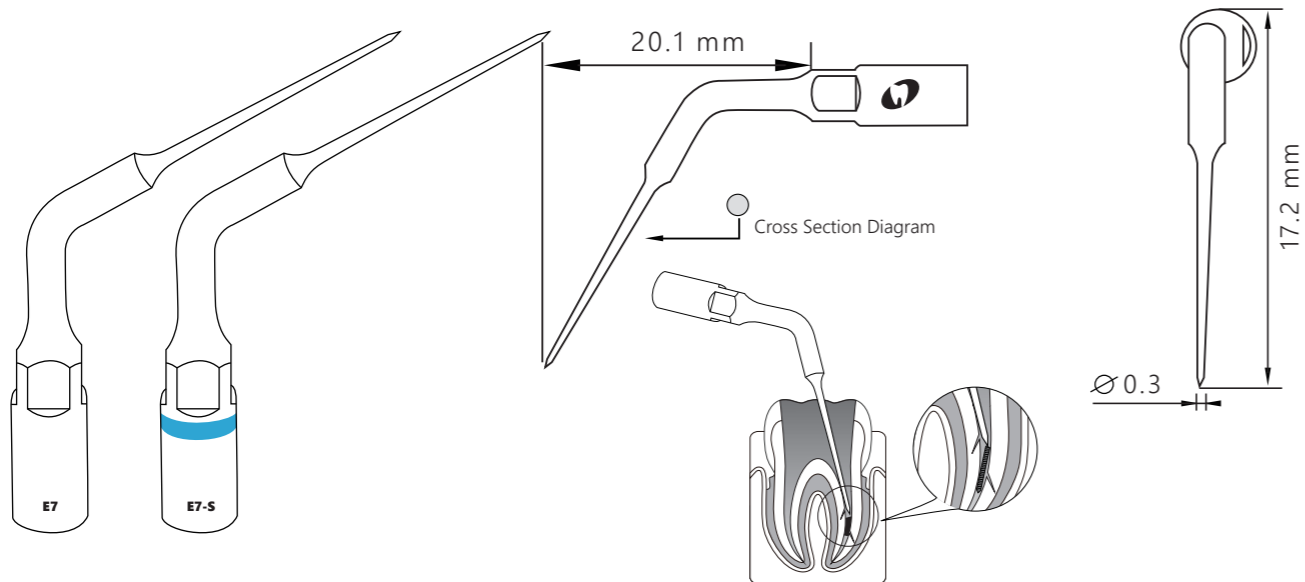
EMS® E7

Satelec® E7-S

Order Code 6680542

Order Code 6680660

Function Description: Removal of broken instrument



Mode: E  
Power: 1-3



Recommended  
Service Life  
50 root canals



Water Flow Rate  
mid&high

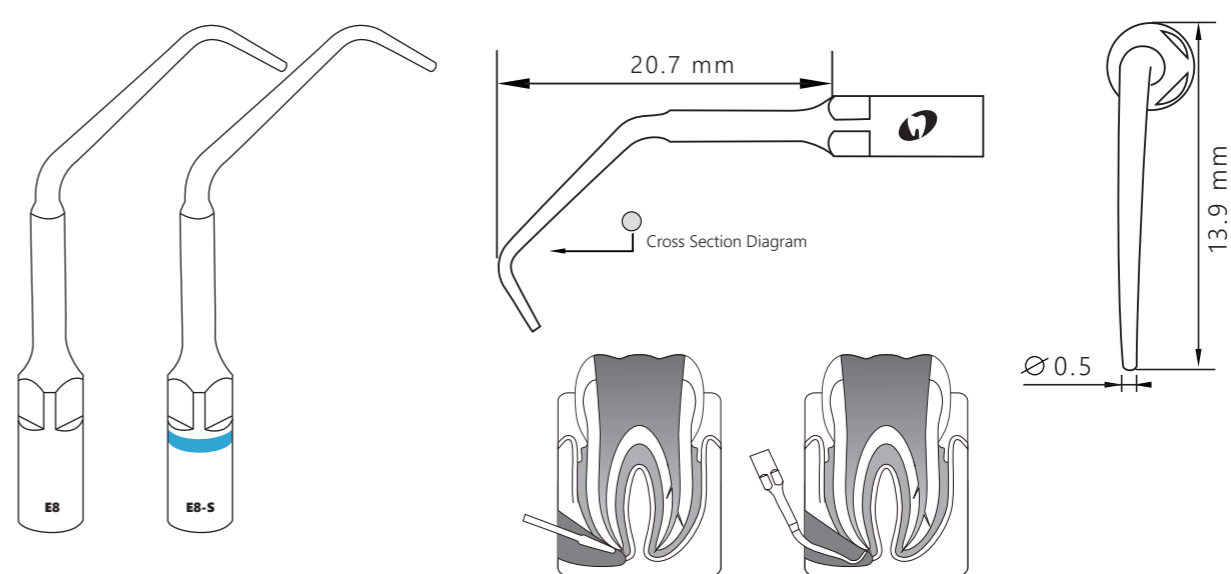
EMS® E8

Satelec® E8-S

Order Code 6680608

Order Code 6680614

Function Description: Used to brush the canal walls during re-treatment



Mode: E  
Power: 1-6



Recommended  
Service Life  
50 root canals



Water Flow Rate  
low,mid&high

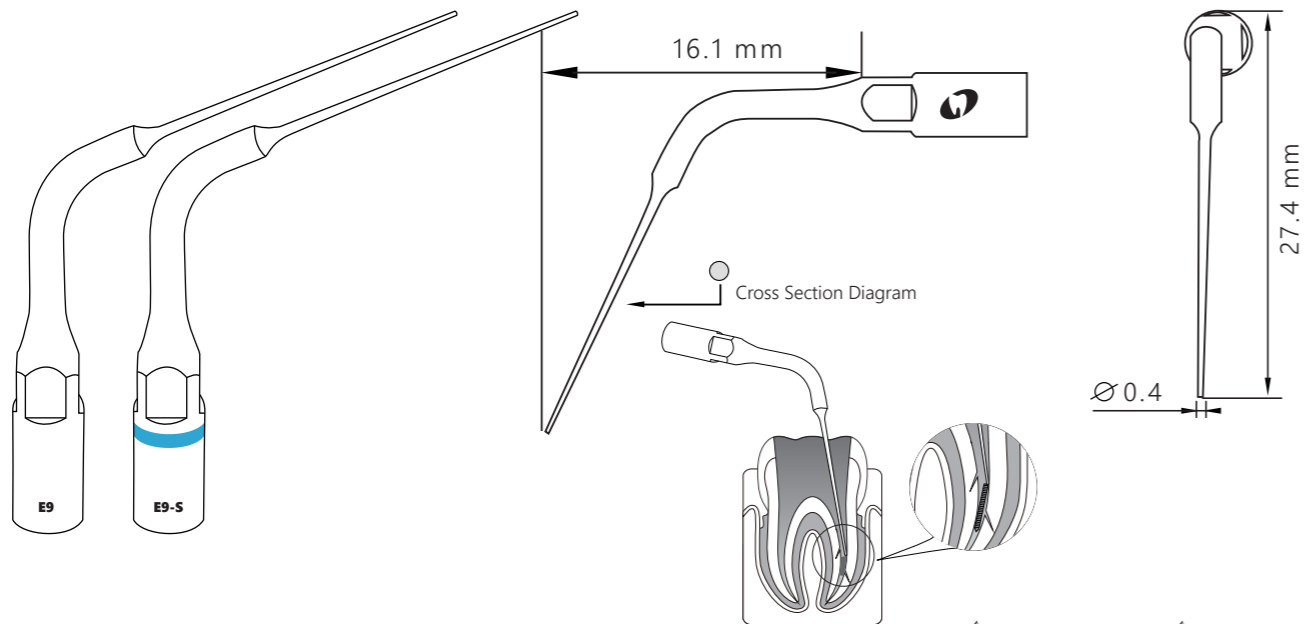
EMS® E9

Satelec® E9-S

Order Code 6680609

Order Code 6680615

Function Description: Flexible, used for irrigation



Mode: E  
Power: 1-3

Recommended  
Service Life  
20 root canals

Water Flow Rate  
No water

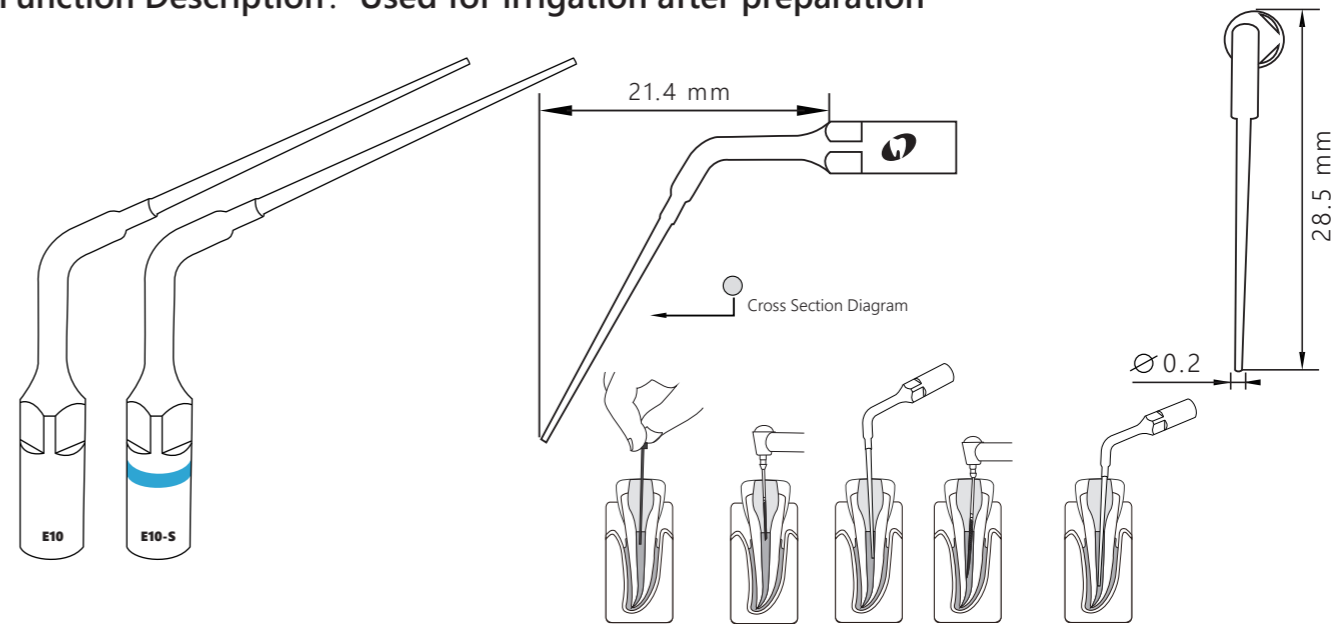
EMS® E10

Satelec® E10-S

Order Code 6680610

Order Code 6680616

Function Description: Used for irrigation after preparation



Mode: E  
Power: 1-3

Recommended  
Service Life  
50 root canals

Water Flow Rate  
mid&high

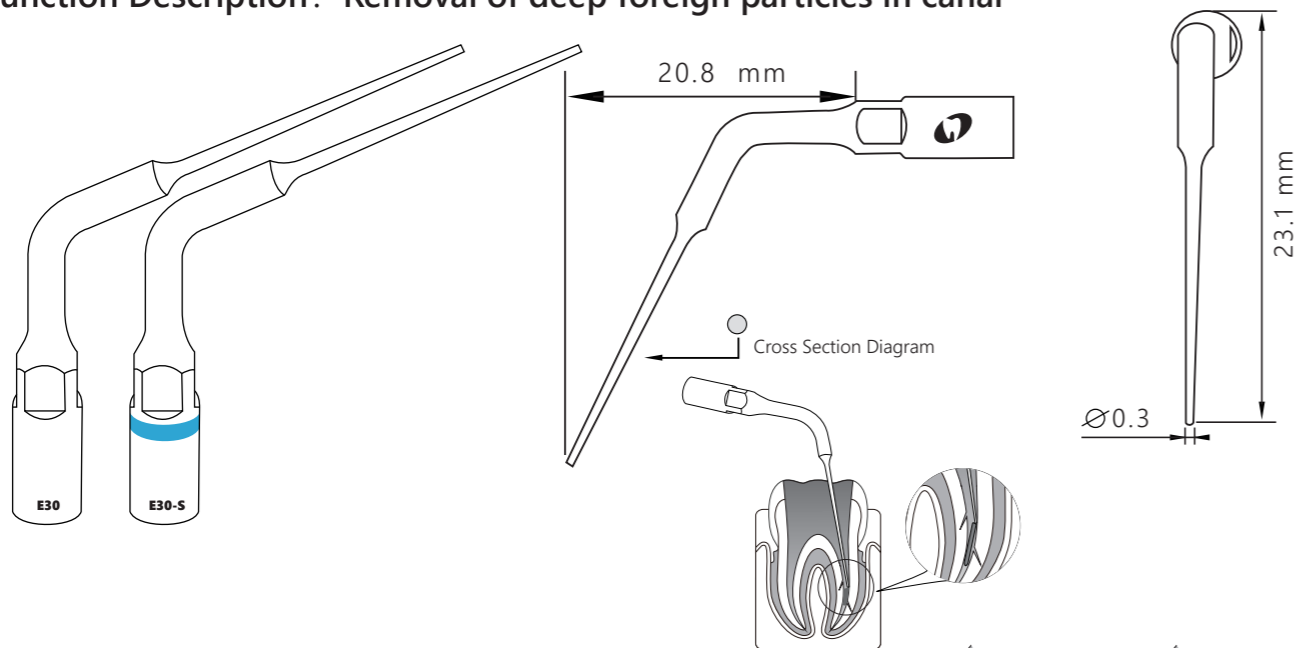
EMS® E30

Order Code 6680611

Satelec® E30-S

Order Code 6680661

Function Description: Removal of deep foreign particles in canal



Mode: E  
Power: 1-3

Recommended  
Service Life  
50 root canals

Water Flow Rate  
low&mid

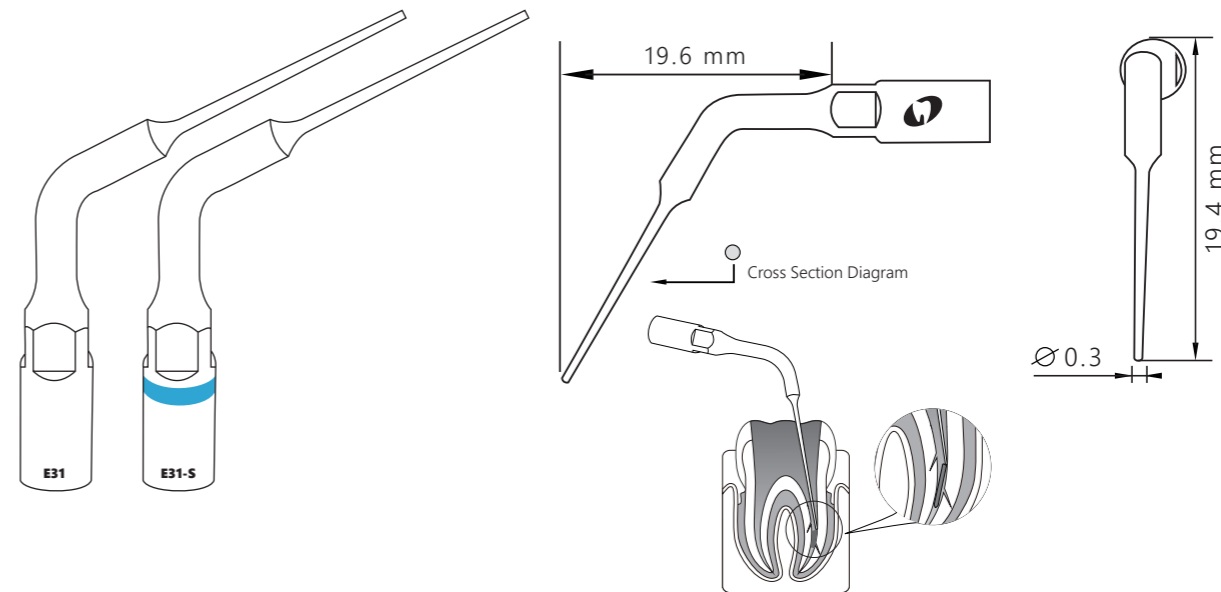
EMS® E31

Order Code 6680612

Satelec® E31-S

Order Code 6680662

Function Description: Removal of foreign particles in one-third of the canal



Mode: E  
Power: 1-3

Recommended  
Service Life  
50 root canals

Water Flow Rate  
low&mid

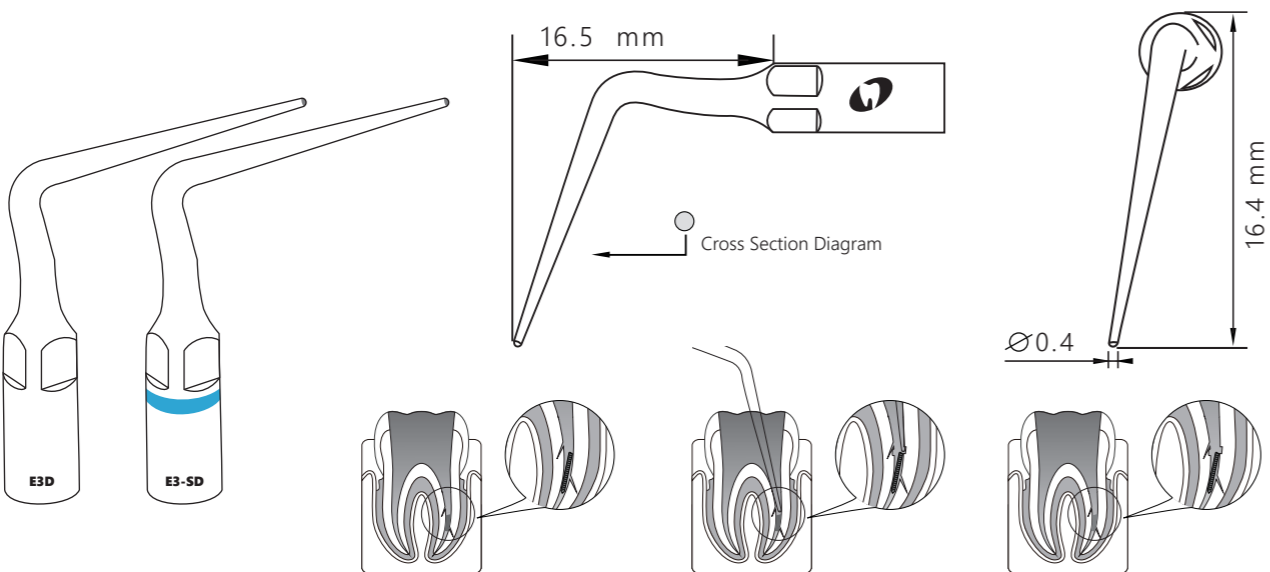
EMS® E3D

Order Code 6680651

Satelec® E3-SD

Order Code 6680638

Function Description: Enlargement of the canal walls to remove the broken instrument



Mode: E  
Power: 1-3

Recommended  
Service Life  
50 root canals

Water Flow Rate  
low, mid & high

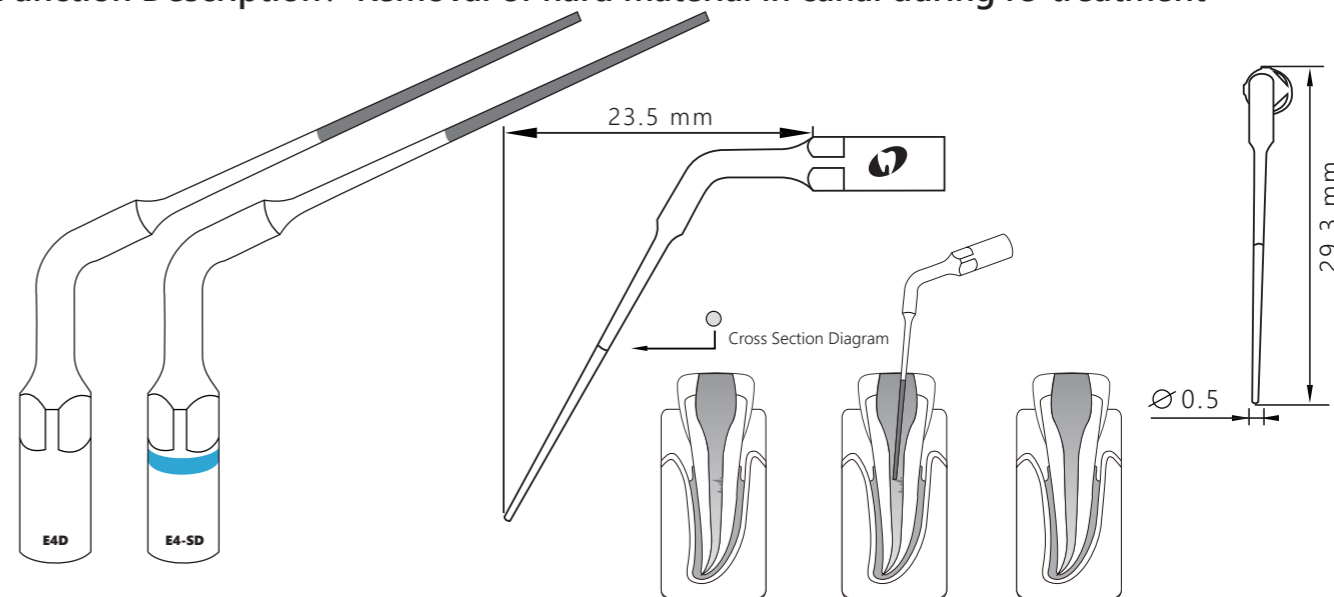
EMS® E4D

Order Code 6680652

Satelec® E4-SD

Order Code 6680639

Function Description: Removal of hard material in canal during re-treatment



Mode: E  
Power: 1-3

Recommended  
Service Life  
50 root canals

Water Flow Rate  
No water

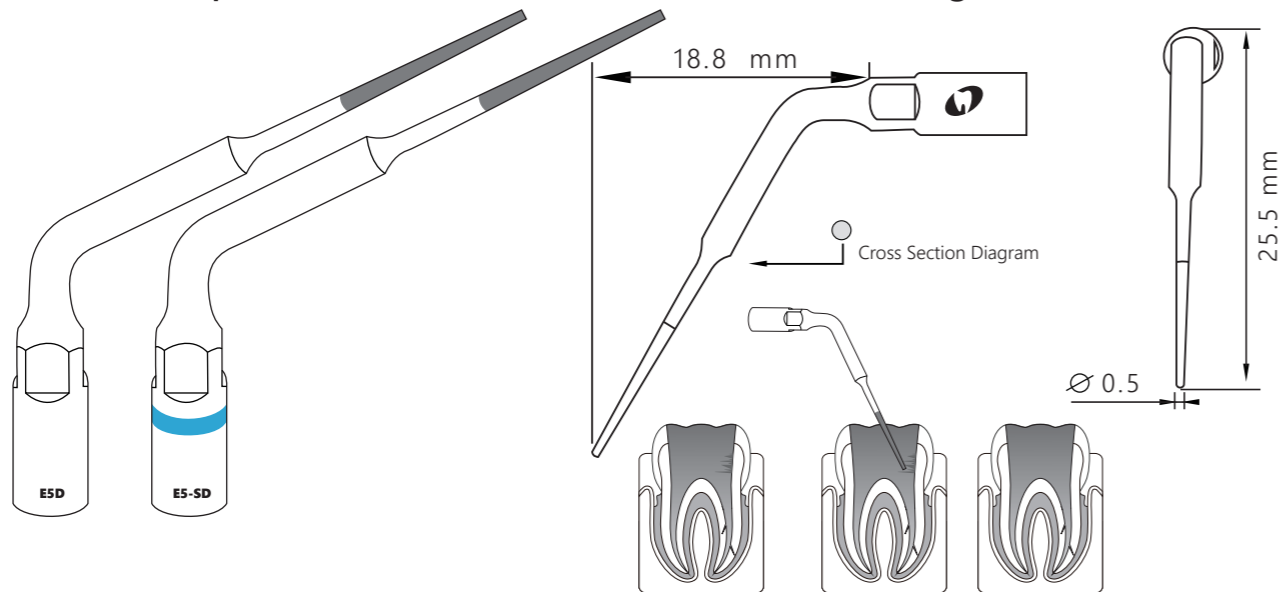
EMS® E5D

Order Code 6680653

Satelec® E5-SD

Order Code 6680640

Function Description: Removal of hard material in canal during re-treatment



Mode: E  
Power: 1-3

Recommended  
Service Life  
50 root canals

Water Flow Rate  
No water

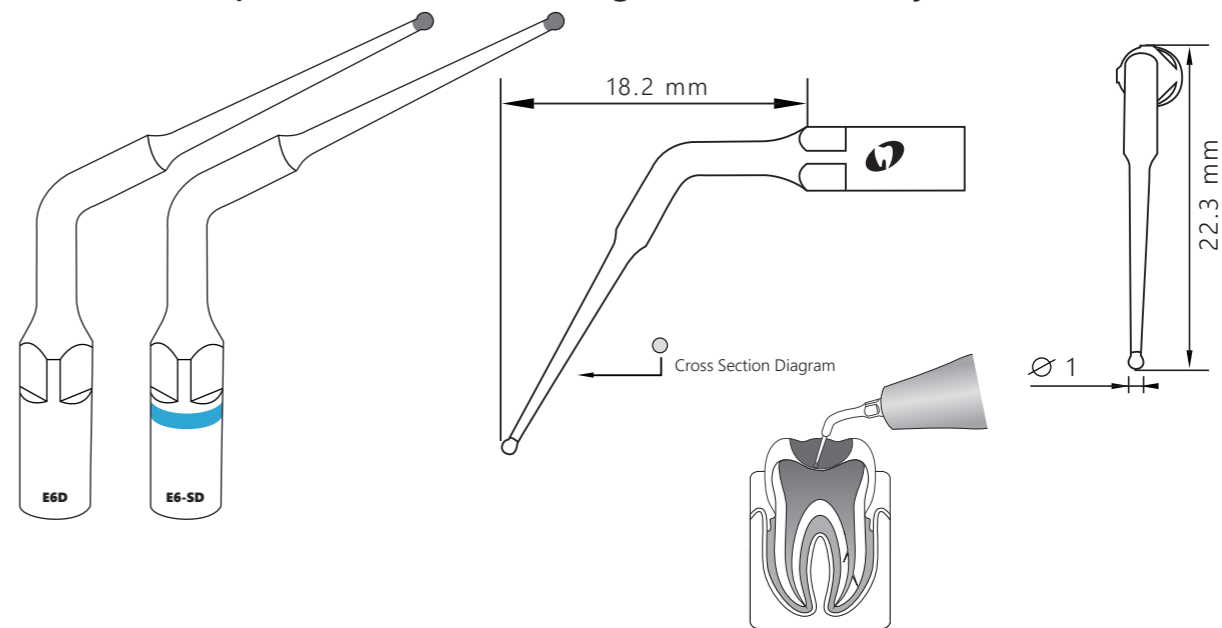
EMS® E6D

Order Code 6680632

Satelec® E6-SD

Order Code 6680641

Function Description: Removal of foreign material in cavity to access canal orifice



Mode: E  
Power: 1-10

Recommended  
Service Life  
50 root canals

Water Flow Rate  
mid&high

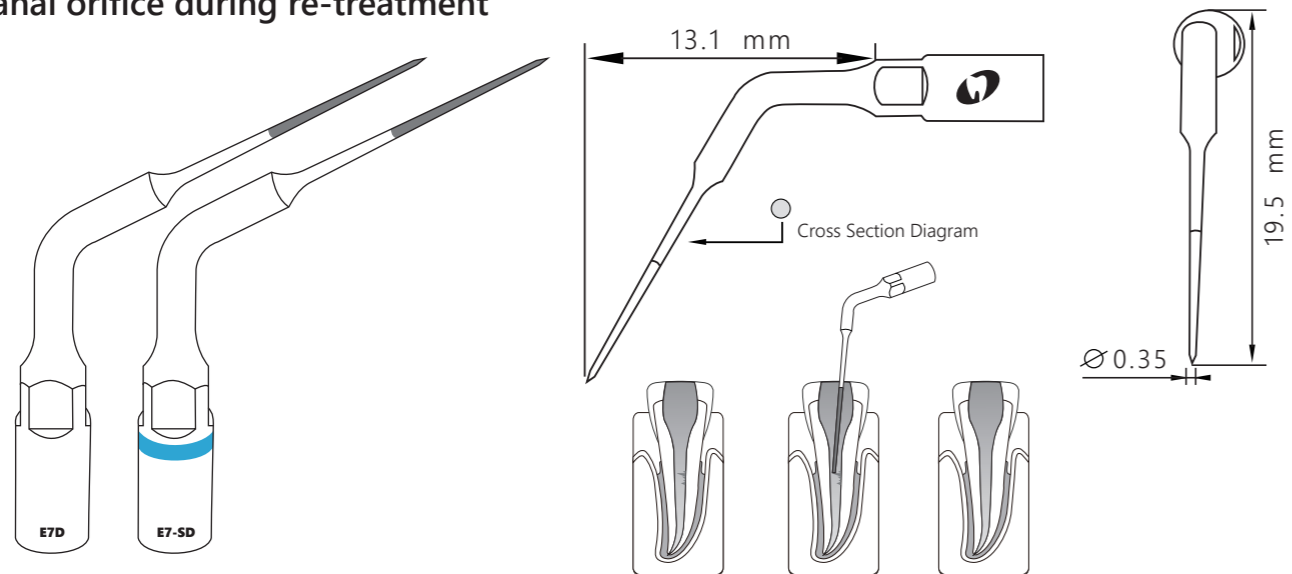
EMS® E7D

Order Code 6680633

Satelec® E7-SD

Order Code 6680642

Function Description: Removal of calcification and filling material in cavity to access canal orifice during re-treatment



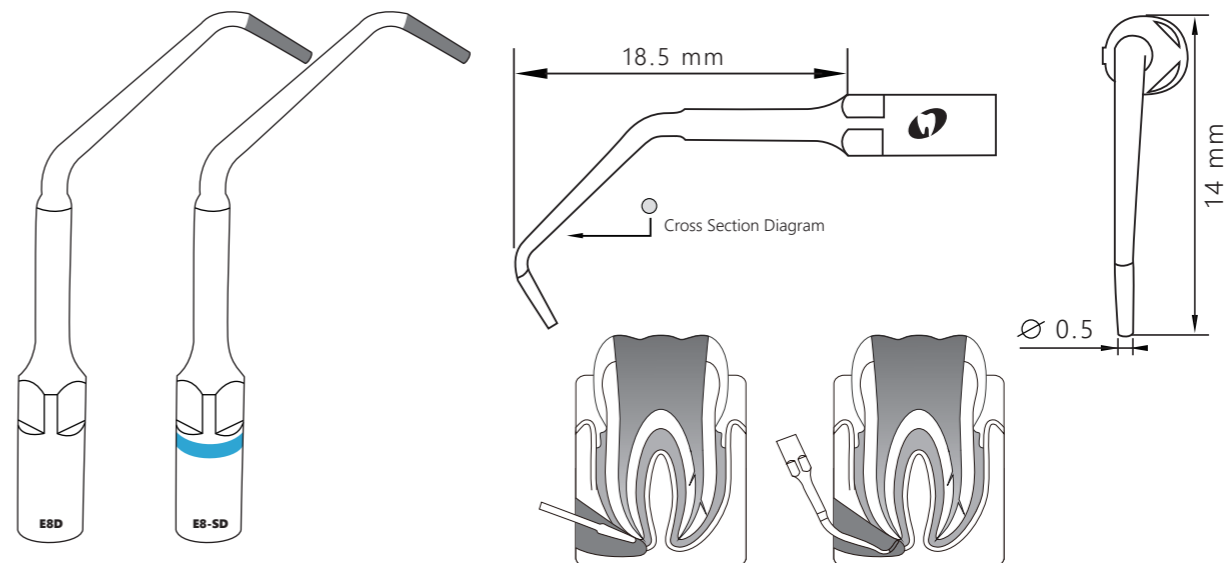
EMS® E8D

Order Code 6680634

Satelec® E8-SD

Order Code 6680643

Function Description: Used for root canal retrogression, efficient root apical polishing



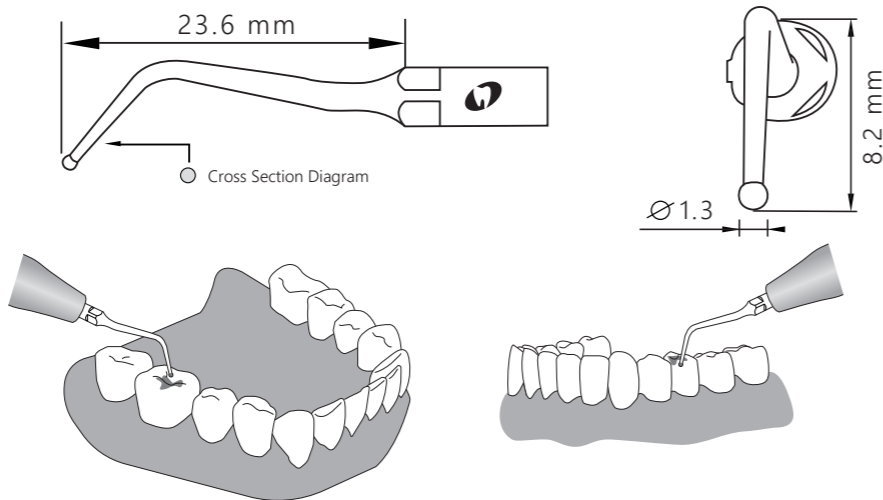
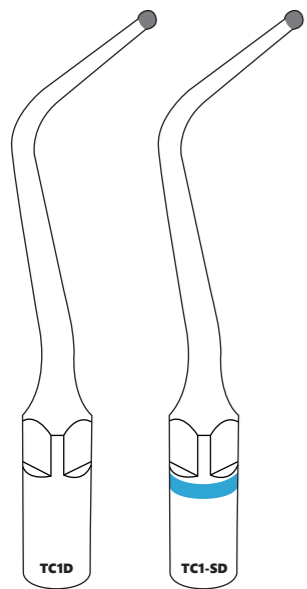
EMS<sup>®</sup> TC1D

Order Code 6680648

Satelec<sup>®</sup> TC1-SD

Order Code 6680650

Function Description: Removal cervical caries and caries on the occlusal surface



Mode: P  
Power: 1-10



Recommended  
Service Life  
50 Teeth



Water Flow Rate  
low, mid & high