



# LABORATORY INSTRUMENTS

MADE IN ITALY



## SKILLS AND TOOLS

No matter how good a dentist is, in order to work the magic and transform impressions into successful dental prostheses, a behind-the-scene activity from a qualified dental technician is fundamental.

Based on detailed prescriptions that include anatomical information, your job as a technician is to combine a mix of technological expertise, artistic skills, state-of-the-art materials and precise instruments to carefully create crowns, bridges, partial, removable and full dentures and more.

Asa Dental Laboratory instruments range from highly versatile articulators to precise carving instruments, through a wide range of accessories; all necessary to shape materials and make sure you can confidently help dentists restore both function and aesthetics of a patient's mouth.

## ARTICULATORS average values

5050 and 5050Plus are non-Arcon average value articulators designed to help dental technicians meet dentists' requests for high precision regardless of the prosthetic technique. A light, stable and ergonomic construction facilitates set-up and work on any models. Additional features guarantee an exact simulation of the condylar path with a high fitting accuracy, giving prosthesis and restorations the necessary occlusion and function throughout the full range of mandibular movements.

5050 can conveniently work with dentures of many different sizes and any electronic pressure polymerizers available on the market. Designed to obtain optimal ergonomics, it offers complete stability when the technician comfortably works at 60° or upside down, in case of class III edentulous patients. The anti-rotational system for the incisal rod ensures that positioning is always correct and accurate, while the back blocking systems allows removing the rod and conveniently working on incisors. When the technique requires starting from one of the upper arches, the mounting plate helps regardless the size of the arch with clear indication of elliptic references.

### FEATURES

- stable 60° operation for technician comfort
- ideal for class III patients
- compatible with any pressure polymerizers
- anti-rotation system for incisal rod
- template with 4 elliptic references for lower arch models
- occlusal table with 4 elliptic references for upper arch models
- bearing rod for 180° opening
- hinge rod with anti-shock protection system

### TECHNICAL DATA

intercondylar distance	110 mm
condylar inclination fixed at	30°
Bennett angle	0 - 7°
incisal table inclination	10°
distance between mounting plates	87 mm
opening	180°

### EQUIPMENT

4 mounting plates	5000-1
2 locking knobs	5011-6



5050

## ARTICULATORS average values

5050Plus is the most versatile articulator that complements Asa Dental laboratory instruments. 5050Plus is available as a standalone product or as an upgrade of 5050, with the addition of few accessories. Offering all the standard features of 5050, with a dedicated mounting plate the articulator becomes the ideal solution for all the techniques based on building the prosthetics on lower arches while a magnetic incisal rod safely prevents undesired alteration of the model during cast solidification. Simple, accurate and ergonomic, 5050Plus represents our best solution for dental technicians asking for a flexible and reliable average value, non-Arcon articulator.

### FEATURES

- stable 60° operation for technician comfort
- ideal for class III patients
- compatible with any pressure polymerizers
- anti-rotation system for incisal rod
- total stability when working without incisal rod
- template with 4 elliptic references for lower arch models
- occlusal table with 4 elliptic references for upper arch models
- magnetic incisal rod for total stability
- bearing rod for 180° opening
- hinge rod with anti-shock protection system

### TECHNICAL DATA

intercondylar distance	110 mm
condylar inclination fixed at	30°
Bennett angle	0 - 7°
incisal table inclination	0°
distance between mounting plates	87 mm
inclined contrast table	24°
opening	180°

### EQUIPMENT

4 mounting plates	5000-1
2 locking knobs	5011-6



5050Plus

## ARTICULATORS average values

lightweight anatomic articulator made of aluminum die-casting;  
it can be used following the geometrical laws of medium values (Bonwill triangle);  
fixing according to centric;  
automatic return to the hinge axis with springs;  
anti-shock hinge rod in case articulator falls accidentally;  
bigger size lock screws for mounting plates;  
anatomic back shoulders favour a practical and efficient holding of the articulator

### FEATURES

- increased height and width
- more space when using removable stumps systems
- more space for installation of mobile prosthesis with high chewing or big base
- more space when using magnetic plates
- better back entrance
- variable internal working distance
- incisal guide rod and bearing rod for 180° opening are in stainless steel
- stainless steel hinge rod
- anti-shock protection system

### TECHNICAL DATA

intercondylar distance	120 mm
condylar inclination fixed at	30°
Bennett angle fixed at	7°
incisal table inclination	10°
distance between mounting plates	90-110 mm
weight	700 gr
opening	180°

### EQUIPMENT

2 spacers	5030-29
4 mounting plates	5000-1
2 locking knobs for spacer	5030-6
2 locking knobs for plates	5011-6

### ACCESSORIES

face bow	5021
transfer table	5024
occlusal table	5030-2
fast caliper	5033



5030

## ARTICULATORS average values

features 5032 - same features as mod. 5030 plus:  
adjustable back rod by registration screw to work without incisal rod by keeping constant trajectories and inclinations during side and back/forward movements;  
pure translation movement (key and instructions included)

### FEATURES

- back rod on the upper side to unchanged back entrance and visibility and easy mechanisms regulation
- hinge rod with pure translation movement allowed

### TECHNICAL DATA

intercondylar distance	120 mm
condylar inclination fixed at	30°
Bennett angle fixed at	7°
incisal table inclination	10°
distance between mounting plates	90-110 mm
weight	700 gr
opening	180°

### EQUIPMENT

2 spacers	5030-29
2 magnetic mounting plates	5000-1M
2 locking knobs for spacer	5030-6
2 locking knobs for plates	5011-6

### ACCESSORIES

face bow	5021
transfer table	5024
occlusal table	5030-2
fast caliper	5033



5032

**ARTICULATORS**  
average values

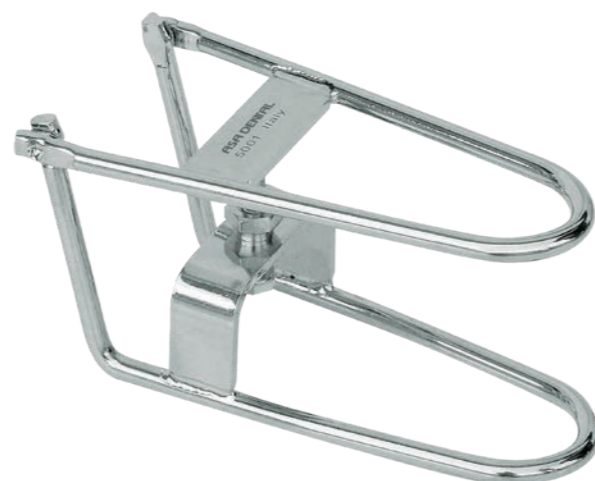
EQUIPMENT

2 mounting plates	5000-1
2 locking knobs for plates	5011-6



5002

**occlusor**



5001

**spare parts**

mounting plate  
die-casting aluminum mounting plate  
applicable to articulators

- 5050
- 5050Plus
- 5030
- 5032
- 5002
- 5000
- 5010
- 5011



5000-1

**ARTICULATORS**  
spare parts



5000-26  
magnet



5000-26

5000-30  
magnet holder



5000-30

5000-1M

- die-casting aluminum teflon covered mounting plate
- magnet holder (5000-30)
- magnet (5000-26)

applicable to articulators

- 5050
- 5050Plus
- 5030
- 5032
- 5002
- 5000
- 5010
- 5011



5000-1M



5000-30



5000-26

5000-25  
cast fastening washer  
for die-casting aluminum  
mounting plate  
10 pcs / pack



5000-25

5030-29

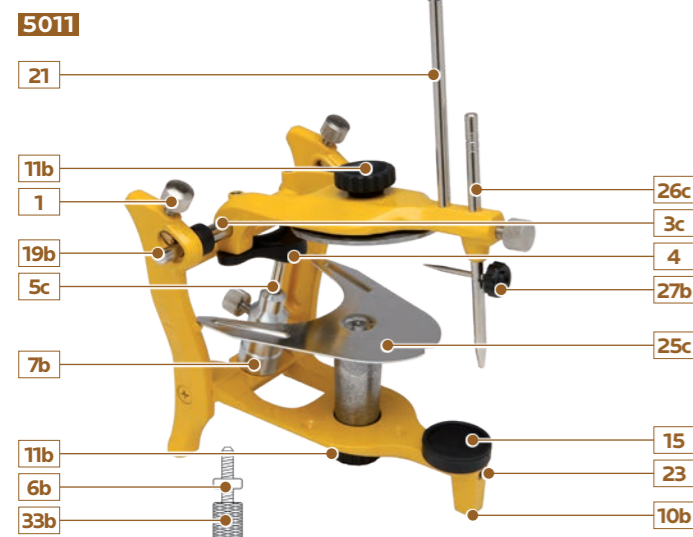
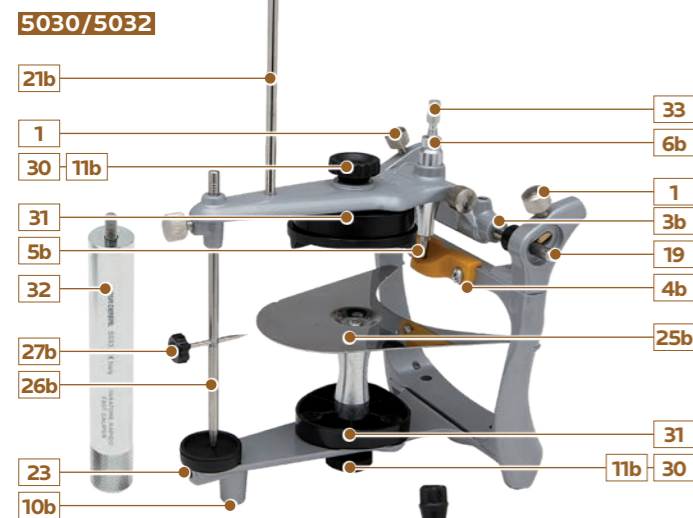
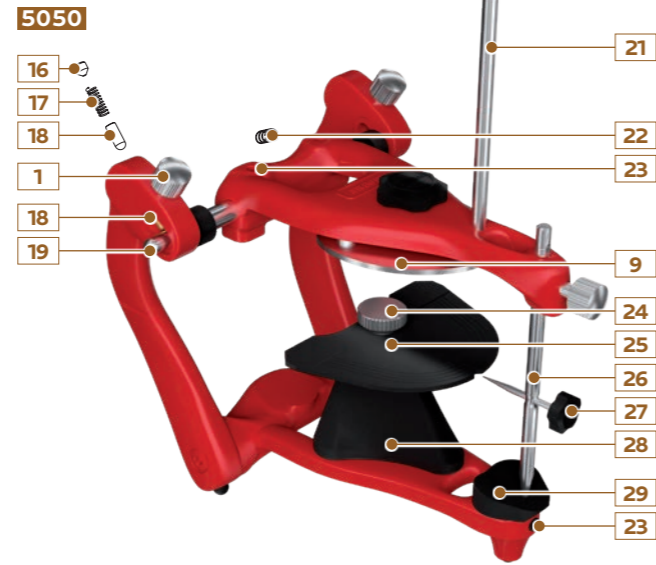
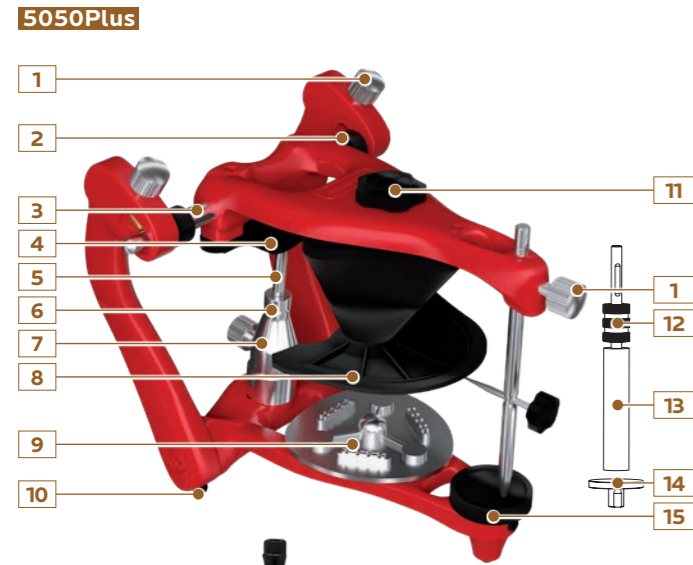
spacer  
applicable to articulators

- 5030
- 5032



5030-29

**ARTICULATORS**  
spare parts



**ARTICULATORS**  
spare parts

		CURRENT MODELS					OLD MODELS		
		5050Plus	5050	5032	5030	5002	5011	5010	5000
1	metallic locking knob	5000-5	5000-5	5000-5	5000-5		5000-5	5000-5	5000-5
2	hinge rod washer	5011-18	5011-18	5011-18	5011-18		5011-18	5011-18	5011-18
3,3b,3c	hinge rod	5050-17	5050-17	5032-17	5032-17		5011-17	5011-17	5011-17
4,4b	inclined contrast table	5011-16		5032-16			5011-16		
5,5b,5c	back rod	5050-21		5032-21			5011-21		
6,6b	adjusting screw locknut	5011-23		5032-23			5011-23		
7,7b	back rod support	5050-20					5011-20		
8	template	5052	5052						
9	mounting plate	5000-1	5000-1	5000-1	5000-1	5000-1	5000-1	5000-1	5000-1
10,10b	rubber nubs (6 pcs/pack)	5050-24	5050-24	5000-24	5000-24		5000-24	5000-24	5000-24
11,11b,11c	locking knob	5050-6	5050-6	5011-6	5011-6	5000-6	5011-6	5000-6	5000-6
12	rod ferrule	5053-2							
13	magnetic rod	5053-1							
14	table for magnetic rod	5053-3							
12+13+14	magnetic rod kit	5053							
15	incisal guide table (0°)	5011-4		5011-4			5011-4		
16	adjusting screw - side shift	5000-7	5000-7	5000-7	5000-7		5000-7	5000-7	5000-7
17	side shift spring	5000-12	5000-12	5000-12	5000-12		5000-12	5000-12	5000-12
18	side shift cylinder	5000-13	5000-13	5000-13	5000-13		5000-13	5000-13	5000-13
19,19b	condylar guidance	5030-9	5030-9	5030-9	5030-9		5011-9	5011-9	5011-9
20	rubber cap	5011-11	5011-11	5011-11	5011-11		5011-11	5011-11	
21,21b	bearing rod	5010-10	5010-10	5030-10	5030-10		5010-10	5010-10	
22	hinge rod spring	5011-19	5011-19	5011-19	5011-19		5011-19	5011-19	5011-19
23	M5 screw - incisal table	5000-18	5000-18	5000-18	5000-18		5000-18	5000-18	5000-18
24	knurled knob for template and occlusal table	5050-4	5050-4						
25,25b,25c	occlusal table	5051	5051	5030-2	5030-2		5000-2	5000-2	5000-2
26,26b,26c	incisal guide rod	5050-3	5050-3	5030-3	5030-3		5000-3	5000-3	5000-3
27,27b	incisal pin	5050-8	5050-8	5000-8	5000-8		5000-8	5000-8	5000-8
28	support for occlusal table and template	5050-2	5050-2						
24+25+28	occlusal table assembly (5050-4 + 5051 + 5050-2)	5054	5054						
29,29b	incisal guide table (10°)		5000-4N		5000-4			5000-4	5000-4
30	locking knob for spacer			5030-6	5030-6				
31	spacer			5030-29	5030-29				
32	fast caliper			5033	5033				
33,33b	adjusting screw			5032-22			5011-22		
34	magnetic mounting plate - complete	5000-1M	5000-1M	5000-1M	5000-1M	5000-1M	5000-1M	5000-1M	5000-1M
35	magnet	5000-26	5000-26	5000-26	5000-26	5000-26	5000-26	5000-26	5000-26
36	cast fastening washers (10 pcs/pack)	5000-25	5000-25	5000-25	5000-25	5000-25	5000-25	5000-25	5000-25
37	magnet holder	5000-30	5000-30	5000-30	5000-30	5000-30	5000-30	5000-30	5000-30

**Easy Bow**

5020

complete set including facebow with three forks and transfer table for articulator

face bow	5021
fork holder block	5022
transfer table	5024
fork	5023-1
fork	5023-2
fork	5023-3

set applicable to articulators

5030

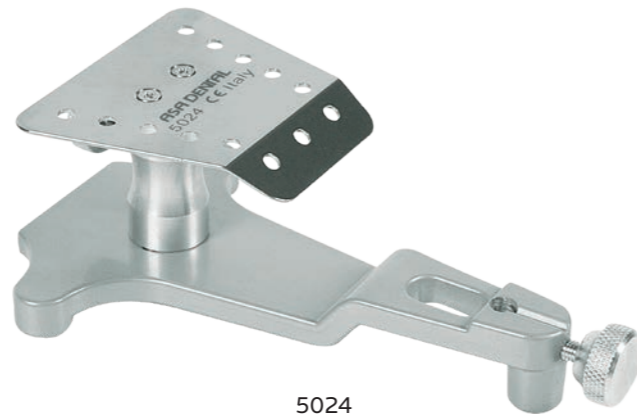
5032



5021



5022



5024



5023-1



5023-2



5023-3

**Easy Bow**

instructions

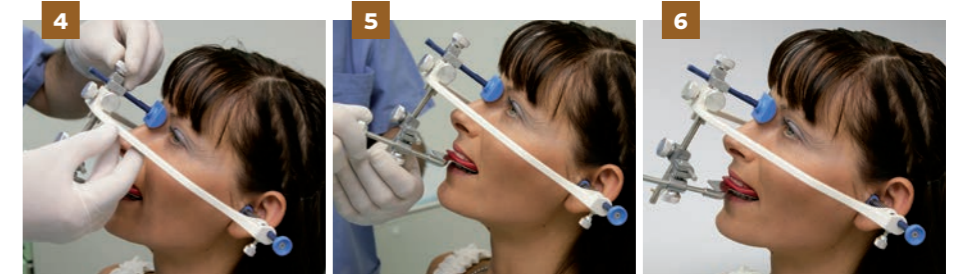
1. insert the fork holder block into the arch
2. insert the fork into the patient's mouth
3. pull the ear olives outwards and insert the facebow



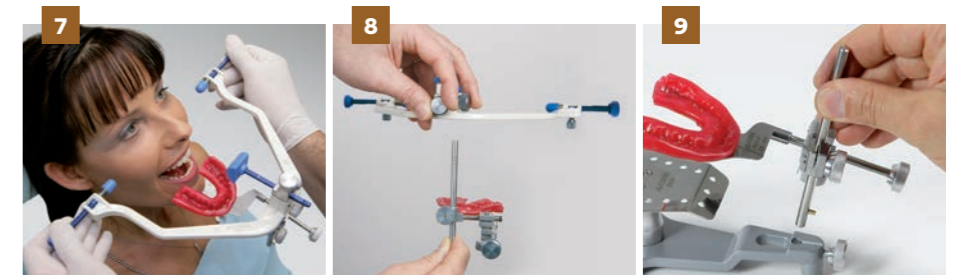
**Easy Bow**

instructions

4. regulate the Nasion position referring to the Frankfurt plan
5. connect the fork holder rod and lock all the knobs
6. face bow installed



7. pull the ear olives outwards and extract the face bow
8. loosen the knob and take away the fork holder block
9. place the fork holder block into the transfer table...



10. ...and fix the knob
11. if it is necessary regulate the little plate height; then remove the fork holder block
12. place the plaster on the plate and place again the fork holder block



13. after plaster hardening release the rod knob connected to the fork...
14. ...and extract the rod
15. release the knob and extract the fork holder block



16. place the table on the articulator...
17. ...inserting into the special lodges
18. fix the table on the articulator with the screw given with the articulator



19. place the model on the wax bite
20. put the plaster on the model...
21. ...end up the "articulator setting" as usual

